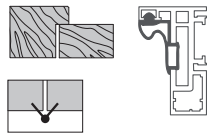
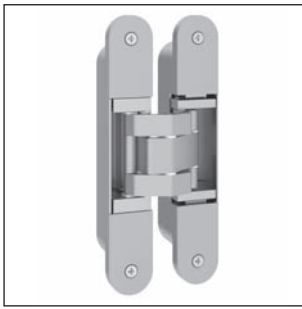


Eclipse 5.0 - adjustable concealed hinge for flush doors with heavy sashes and for hotel doors



Description

Reversible concealed hinge. It is adjustable on 3 axis and allows a 180° door opening. It is suitable for flush doors with heavy sashes and for hotel doors.

Capacity

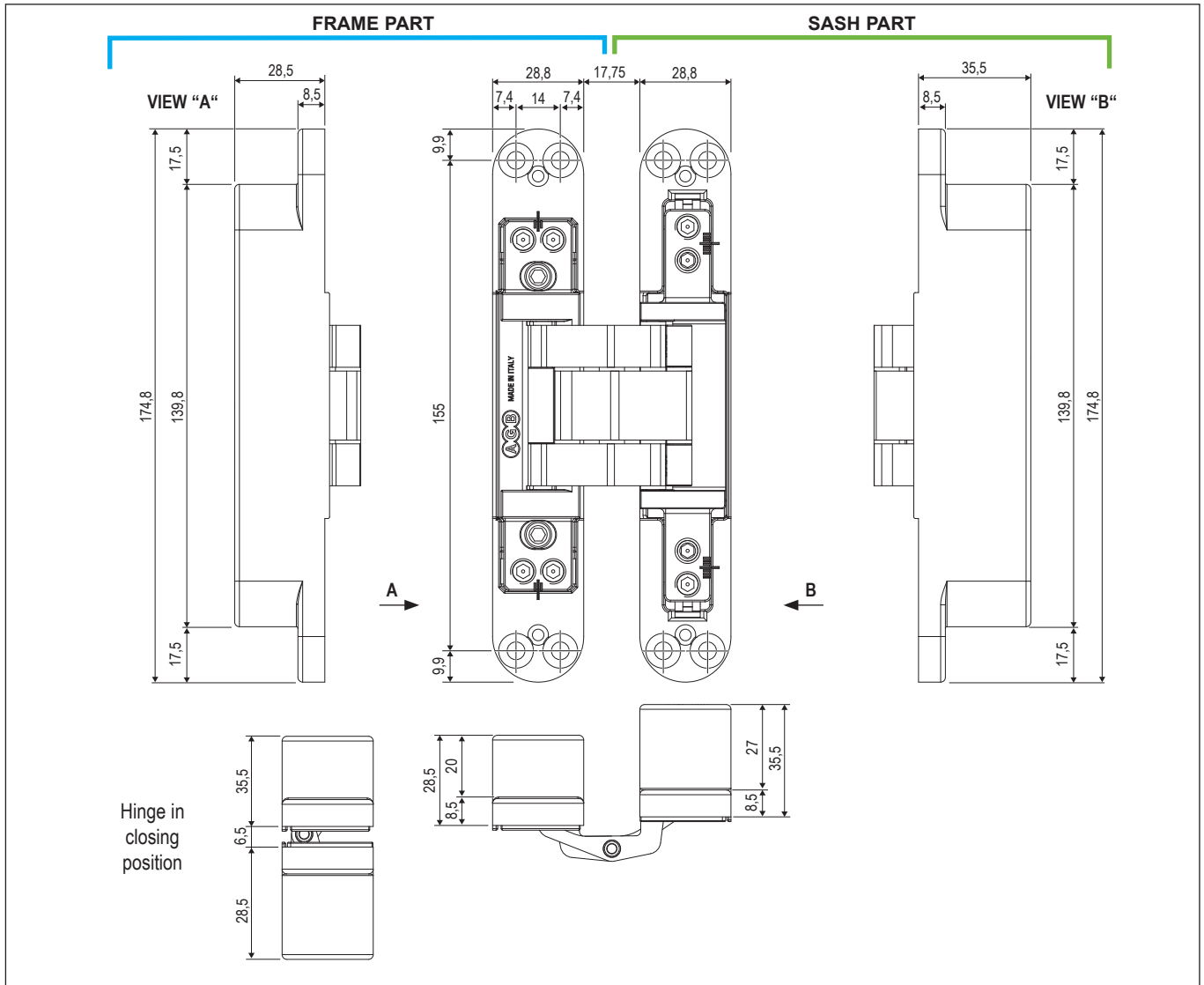
100 kg with 2 hinges.

Note. Follow the procedure on the capacity diagram for the sash maximum

possible dimensions in relation of the number of hinges.

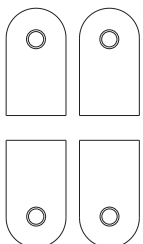
Fastening

Mill the sash and frame parts as indicated in the drawing and fasten the hinge with $\varnothing 5$ mm screws of suitable length.



Available covers

FRAME **SASH**



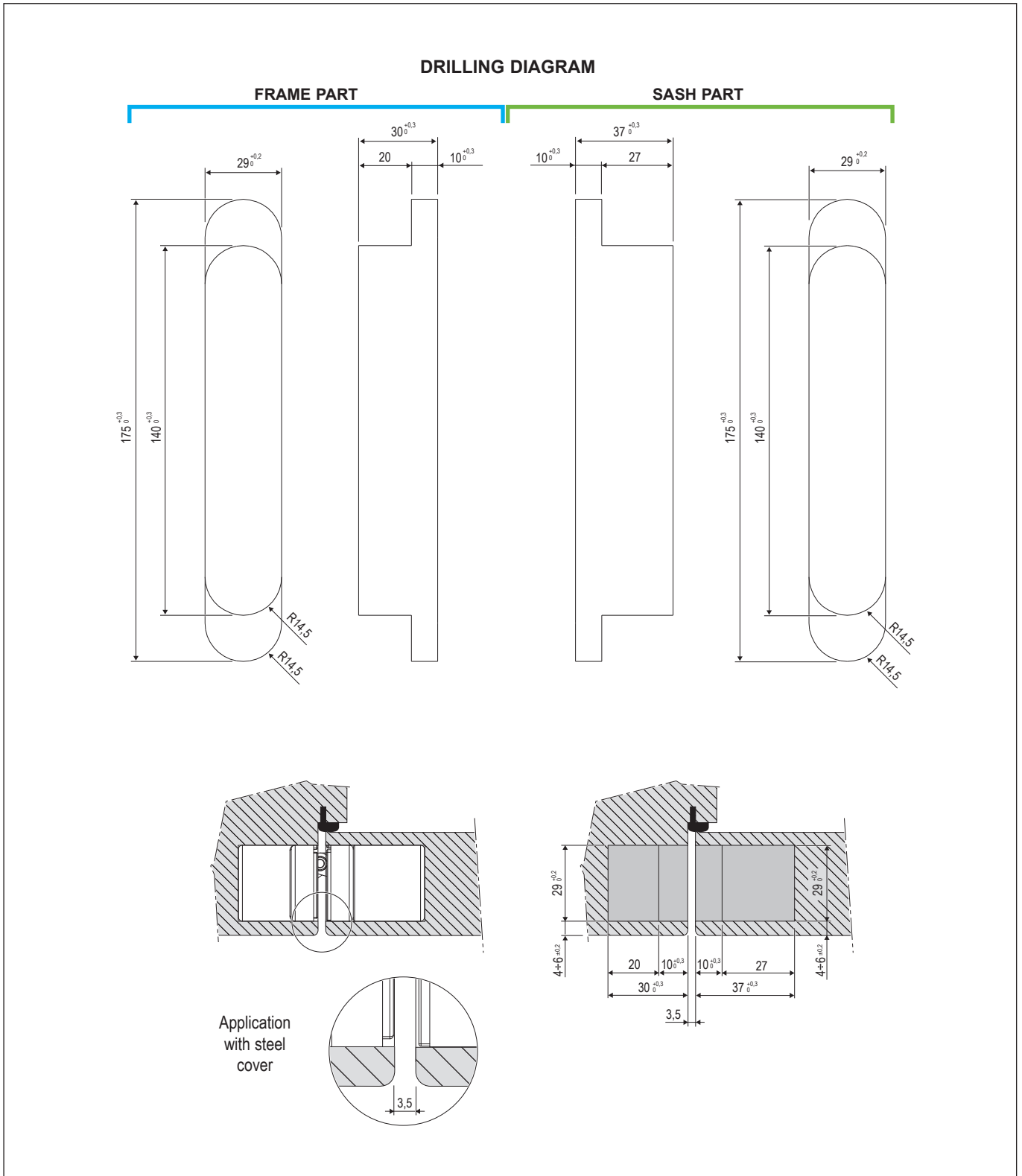
Steel material:
Art. E30501.08.XX

Adjustments

Please adjust the hinges one by one with a 4 mm Allen key; reach the desired adjustment on the screws alternatively and with little movements.

- ± 3 mm vertical adjustment:
loosen **a**; raise (screw) or lower (unscrew) **b**; fasten **a**.
- ± 1 mm pressure adjustment:
PRESSURE INCREASE: loosen **c**; screw **d** and unscrew **e**; fasten **c**.
PRESSURE DECREASE: loosen **c**; unscrew **d** and screw **e**; fasten **c**.
- ± 3 mm horizontal adjustment:
increase (unscrew) or decrease (screw) **f**.

Eclipse 5.0 - adjustable concealed hinge for flush doors with heavy sashes and for hotel doors



Order specifications

Material	Article
ZAMAK	E30501.08.XX

Note. Refer to the price list in force to check the availability of the finishes.