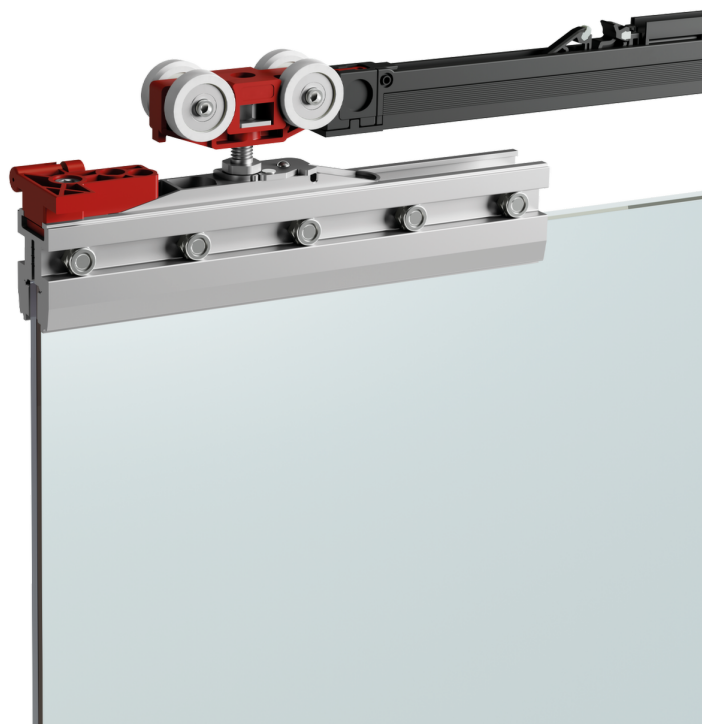
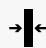





## Vetro 40 Drag

Sliding system suitable for drag glass door



 8 ÷ 10,7 mm

 Min 600 mm

 Max 80 kg



## Vetro 40 Drag

Vetro 40 Drag is a sliding system suitable for drag glass door with a reduced height clamp (only 40 mm). The system is available with full-length clamping system that can be cut to size at a later time.

The system is compatible with monolithic or laminated glass, with thicknesses from 8-8,7 (5/16") mm and 10-10,7 mm (3/8").

Vetro 40 Drag integrates the new sliding trolleys with Fluid technology: the movement turns out to be extremely soft, in opening and closing, for a constantly improved user experience.

