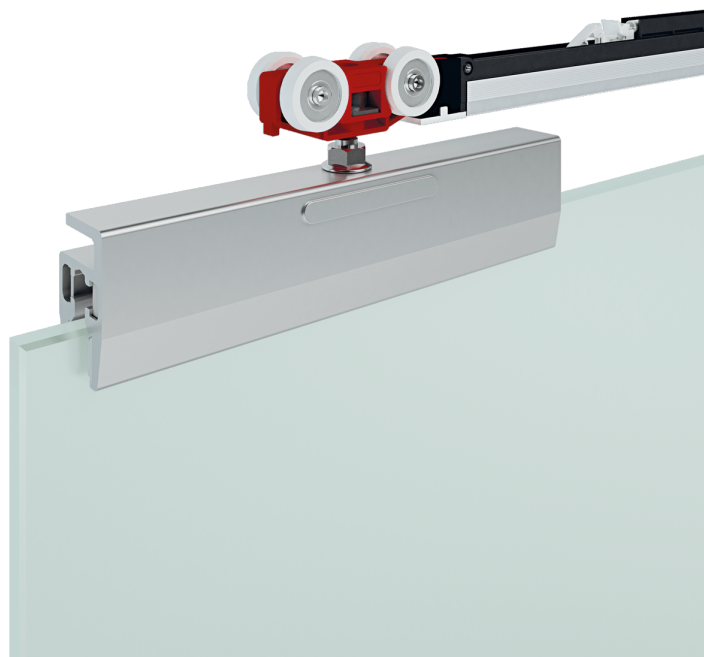
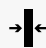






## Pronto

Single body clamps ready for assembling, without holes in the glass




 8 ÷ 12,7 mm

 Min 600 mm

 Max 80 kg

 10 mm

 Guida a scatto

 Guida manuale



## Pronto

Pronto is a sliding system very easy to be mounted: the clamps are completely pre-assembled and ready to be fixed on glass doors, and do not require further processing.

The system is compatible with monolithic or stratified glass, with thicknesses from 8-8,7 mm (5/16"), 10-10,7 mm (3/8") and 12-12,7 mm (1/2").

Pronto integrates the new sliding trolleys, with Fluid technology: the movement turns out to be extremely soft, in opening and closing, for a constantly improved user experience.

