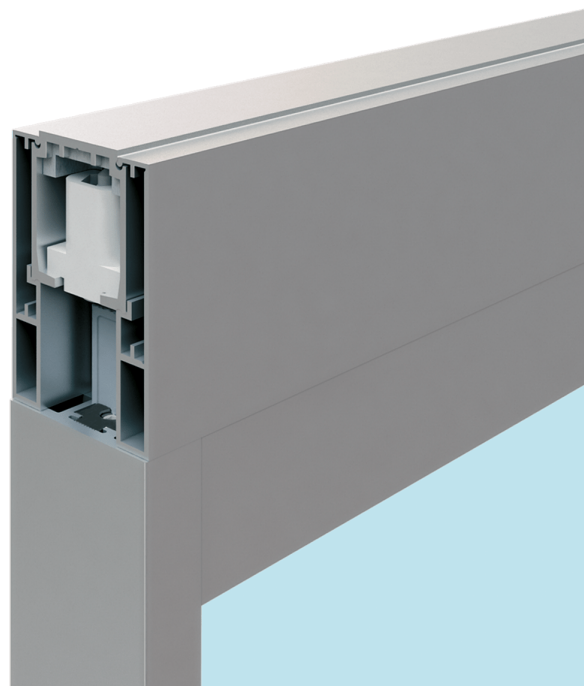
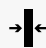






Universal

The new frame for aluminium, glass and wooden doors



 4 ÷ 6,5 mm

 770 ÷ 1500 mm

 80 kg



Universal

Universal is the innovative Terno Scorrevoli frame, designed for doors in glass, timber and aluminium. Clean lines, reduced encumbrances, high resistance. These are the main features of a product which allows today, thanks to totally renovated design, to meet the market demands of designers and architects.

The vertical upright with reduced dimensions will decrease visibility of extruded. Lines will then result linear and clean. No additional drilling or milling processes are required. The external cover of track, aligned with the door, will shape a continuous surface. All features contribute to lend the system to an essential, but pleasant design. Profiles and accessories may also be realized in different finishings, from lighter to darker colours, as per latest design trends.

The highest resistance and versatility

Tubular extruded profiles, metal joints, perfect grip, load-bearing connectors, bi-extruded gasket. All components contribute to grant the glass weight to be sustained by vertical uprights and horizontal crosstracks, halving the pressure of it and allowing to realize larger surfaces. The extruded profiles are assembled by metal joints, without any additional drilling processing requirement. This allows to cut profiles to favourite size, without any drilling or milling process, always granting the perfect grip.

Extreme versatility of material, configurations and installation

The 45 mm thickness allows to combine fixed aluminium panels to standard sliding wooden doors. New Universal frame basically allows multiple different configurations: from the single sliding door, to the sliding door combined with two or three fixed elements or panels, the double sliding doors with or without additional fixed elements. Universal frame may be combined with two of bracket series already existing in Terno Scorrevoli range: Eclettica and Evolution. In combination with lateral automatic clipping bracket Eclettica, the new frame may be fixed on the wall, directly to the ceiling or to counterceiling. Instead, combining Universal frame to invisible Evolution bracket, it is possible to perform any possible installation option, from wall to ceiling fixing, closing the upper gap at 100% and keeping sliding elements totally hidden.

Reduced vertical and horizontal gap

Into the horizontal crosstrack are inserted dustcover brushes, allowing to fill the gap either in the bottom, as in the upper side, towards the external cover. According to that, horizontal or vertical door's gap will result extremely reduced, to the same of a standard swing door.

Dedicated to monolithic and laminated glass

Thanks to innovative extruded profiles, Universal frame results to be highly resistant. Furthermore, it has been realized an innovative bi-extruded gasket which allows an optimal grip of glass. The biextruded gasket will allow to use monolithic and laminated glasses from 5 up to 6,5 mm thickness.

