

## WIDE ANGLE VIEWER FITTING GUIDE



### CONTENTS

- Wide angle viewer
- Intumescent cladding kit

### TOOLS REQUIRED

- Drill (hand or power)
- Pencil or marker

### STEP 1

Put the installation template on the desired position of the door, ensuring that the horizontal line on the template is aligned with the actual horizon.

### STEP 2

Drill a 42Ømm diameter hole for the main body of the Wide Angle Viewer.

### STEP 3

Drill the four pin location holes indicated on the template to a depth of 4mm on the exterior side of the door.

### STEP 4

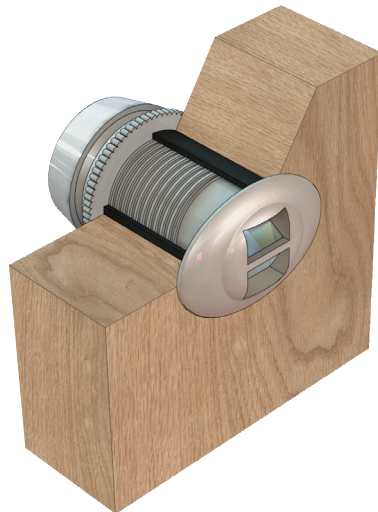
Remove the template.

### STEP 5

Unscrew the front end of the Wide Angle Viewer and locate the pins; place these into the holes on the exterior side of the door.

### STEP 6

Peel off the self-adhesive backing on the intumescent cladding kit and place around the main body of the Wide Angle Viewer.

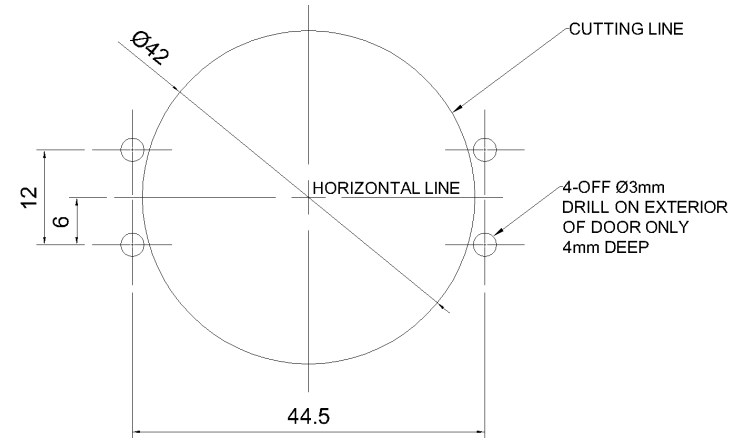


### STEP 7

Put the main body of the Wide Angle Viewer through the hole from the interior side of the door and screw onto the front end.

### STEP 8

Tighten the nut to secure the Wide Angle Viewer on the door.



*Installation Template of door viewer.  
Please check the dimensions of the template before you cut to size.*