

# TOUCH

simply revolutionary



Open, Close, Live



Open the door with the most simple and natural gesture: a touch!



# TOUCH

Patented contactless magnetic door catcher: the catching force can be adjusted and guaranteed, no matter the distance between sash and frame.



Minimal design,  
no visible screws



Absolute freedom to  
choose the handle



Patented adjustable system  
of catching force

# TOUCH

a natural gesture

## Opening the door becomes the most natural gesture

On the push side, **Touch** allows to open the door by a simple push: a touch!

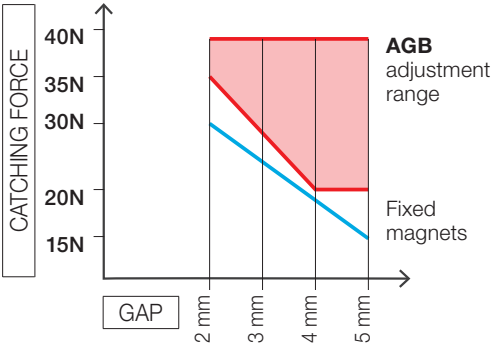
On the other side, just pull with whatever handle.



## Force of attraction

The force can be adjusted according to the feeling of each user and it is guaranteed in all the installation conditions.

In systems with fixed magnets, the force decreases without possibility of adjustment by the increase of gap between sash and frame.

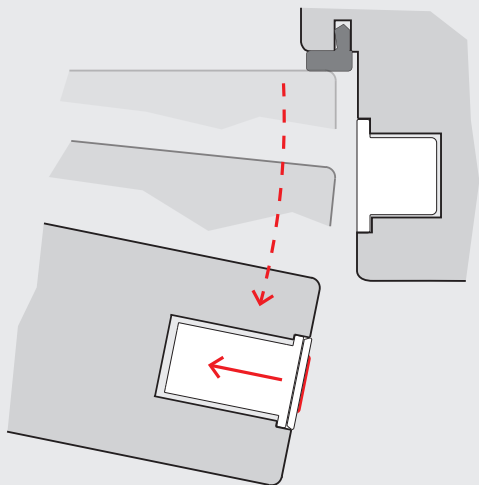
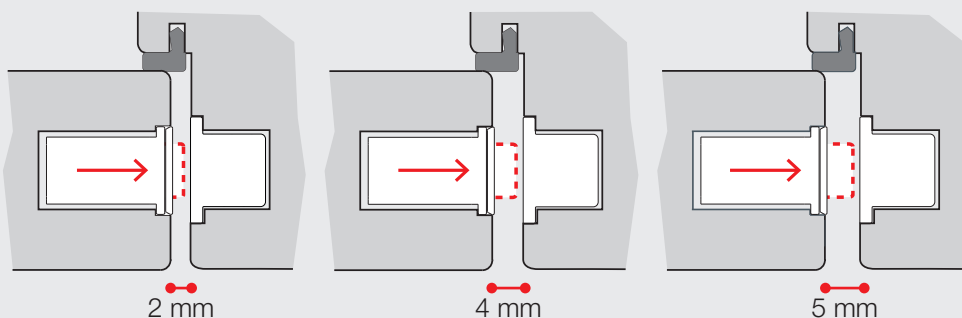


## Adjustable system: Touch always ensures the most comfortable catching force!

Thanks to the patented adjustment system on the sash, **Touch** guarantees the closing, even with variable gap.

**[PATENTED]**

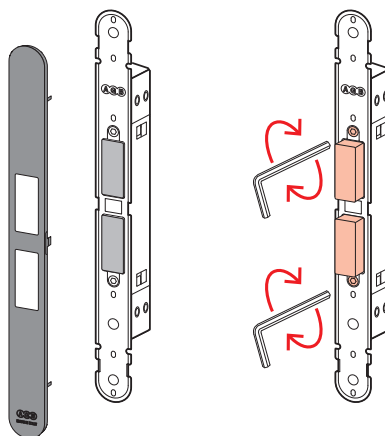
The release of magnets happens only when the sash is aligned to the striker. The magnets throw can be adjusted by using a 2,5 mm allen key. **Touch** definitely avoids the adjustment problems of roller latch.



When the door is open, the magnets retract and stay flush with the forend, giving a minimal design to the door and avoiding problems caused by any protrusion.

The cover is removable and hides the fixing screws and the adjustment grubs of the magnets.

Rotating the grubs increases the working stroke of the magnetic latches and therefore the force of attraction between the sash part and the frame.

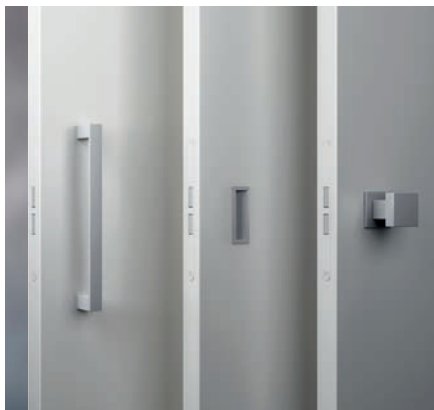


# TOUCH

free to choose the handle

## A new concept of closure

The door stays in closing position thanks to the magnetic force, contactless.  
No need for standard latch.



## Unleash the designer's creativity!

With **Touch**, the handle is released from the unlock function: it just helps to push and pull the door. The designer's creativity is free to create new handle shapes and to integrate the handle in the door design.

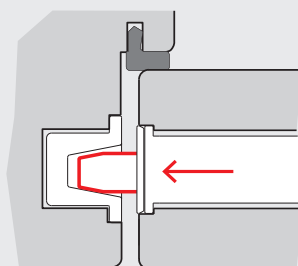
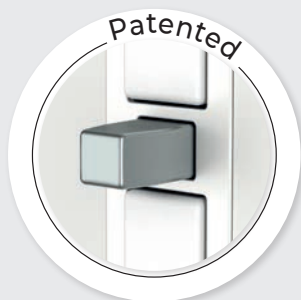
# TOUCH & CLOSE

All the privacy you need

## Magnetic door catcher with lock

Protect the privacy of your room with **Touch & Close**: all the advantages of the magnetic catcher, plus the possibility of closing the door with the lock.

**Touch & Close** is available in versions with bathroom lock and European profile cylinder.



The conical shape of the bolt and of the striker tray guarantees the best closure in all conditions!



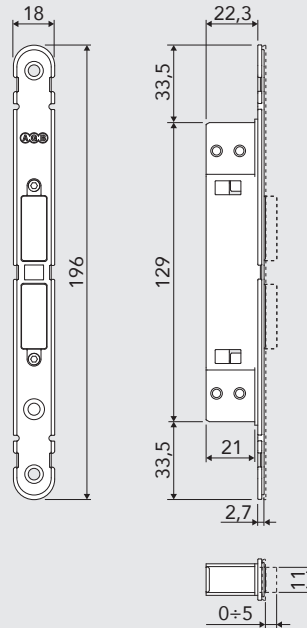




**Touch & Close** is the ideal solution for design doors that separate rooms where privacy is required.

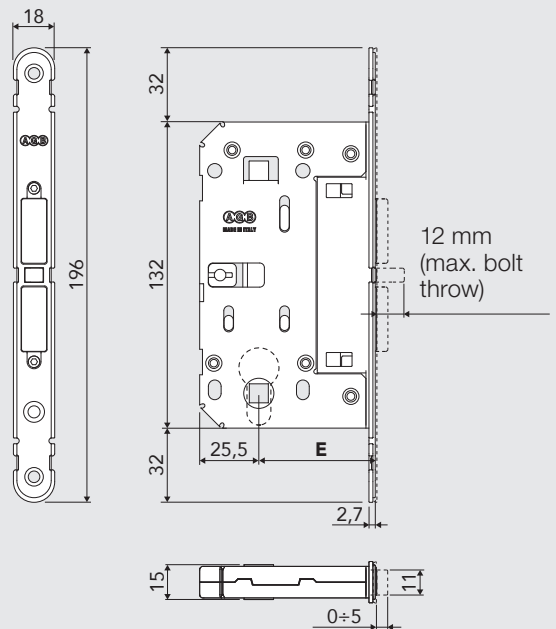
# Technical details

## Touch



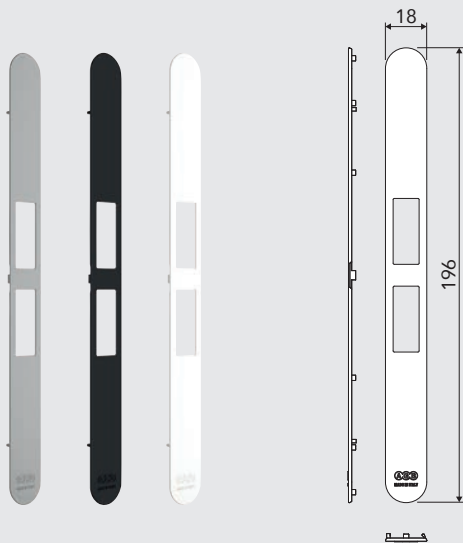
- **Touch**, adjustable magnetic door catcher
- Available finishes: **Grey RAL 7036**, **Matt black**, **Matt white**

## Touch & Close

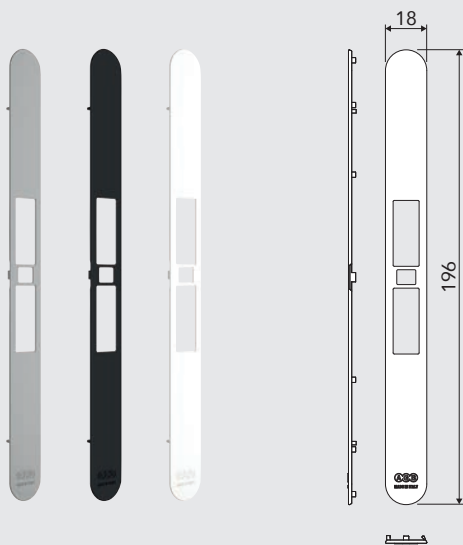


- **Touch & Close** lock with adjustable magnetic door catcher
- **Bathroom** and **cylinder** lock are available
- Backset (E) **50** and **60**
- Available finishes: **Grey RAL 7036**, **Matt black**, **Matt white**

**Touch & Close** dimensions are the same both for bathroom and cylinder versions

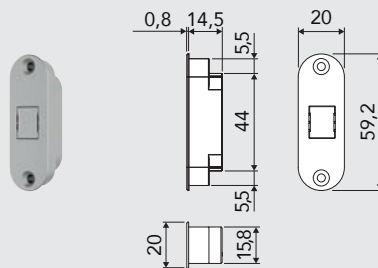


- The cover hides the fixing screws of **Touch**
- Available finishes: **Matt chromium plated, Matt black, Matt white**

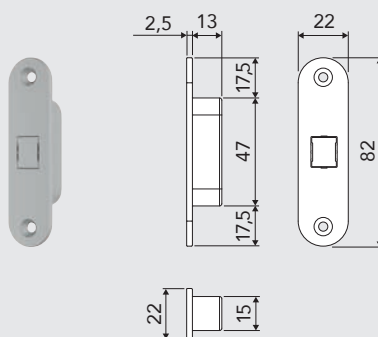


- The cover hides the fixing screws of **Touch & Close**
- Available finishes: **Matt chromium plated, Matt black, Matt white**

## Minimal-Touch

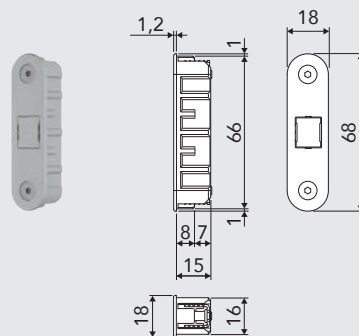


## Easy-Touch



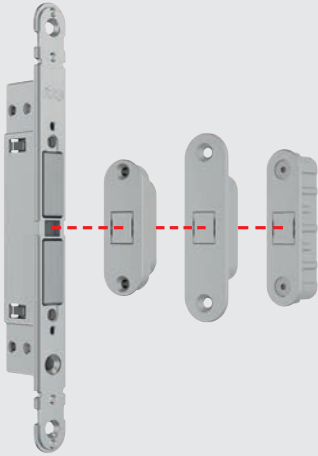
- Strikers for **wooden doors**
- Suitable for **Touch** and **Touch & Close**
- When the striker is used with **Touch & Close**, remove the cap

## Alu-Touch

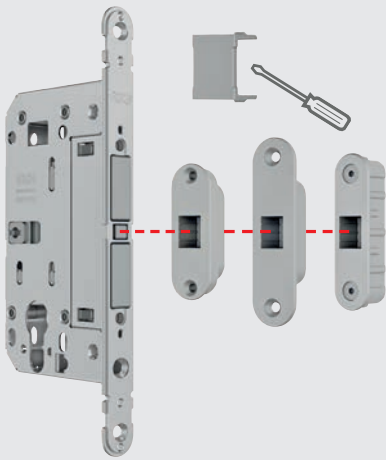


- Striker for **aluminium doors**
- Suitable for **Touch** and **Touch & Close**
- When the striker is used with **Touch & Close**, remove the cap

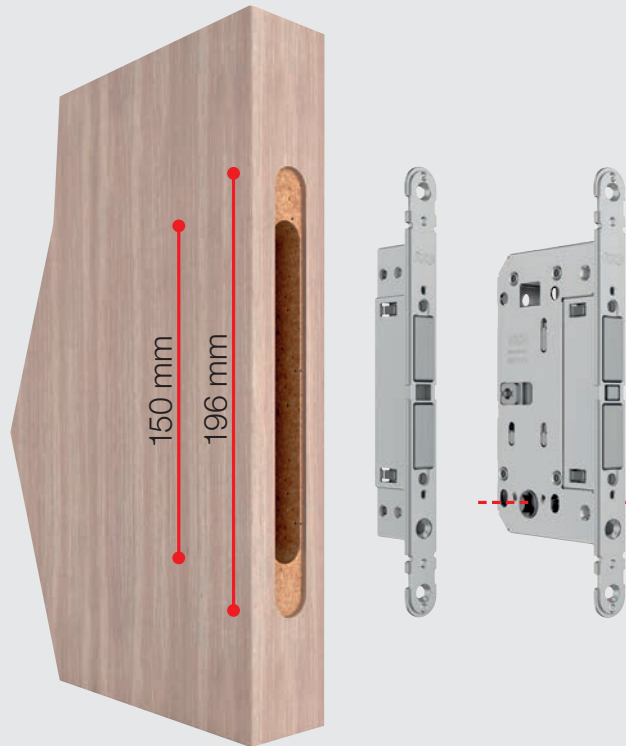
## Lock and striker positioning



**Touch** positioning with **Minimal-Touch**, **Easy-Touch** and **Alu-Touch** strikers.



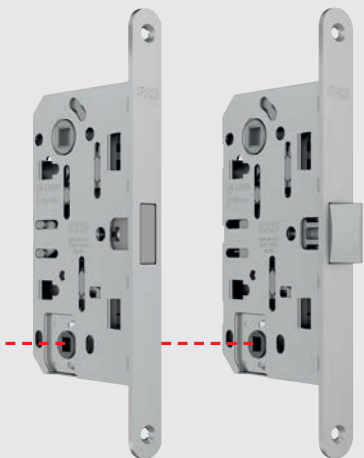
**Touch & Close** positioning with **Minimal-Touch**, **Easy-Touch** and **Alu-Touch** strikers. When the striker is used with **Touch & Close**, remove the cap.



**Minimal-Touch** is interchangeable with **Minimal** and **Easy-Fix** with 1,2 mm thickness.

## One milling, unlimited solutions!

The standard milling allow to choose between **Touch** and a traditional handle, even when the frame has been already installed or simply replacing the sash.



**Touch** and **Touch & Close** are compatible with the milling for **Polaris 2XT** and **Mediana Evolution**.



**Easy-Touch** is interchangeable with **Easy-Matic** and **Easy-Fix** with 2,2 mm thickness.



**Alu-Touch** is interchangeable with **Alutop**.





**Touch** is the ideal solution for concealed doors in wooden walls where the designer unleashes creativity and can integrate the handle in the sash design.



Open, Close, Live

Alban Giacomo SpA  
Via A. De Gasperi, 75  
36060 Romano d'Ezzelino (VI) Italy  
+39 0424 832 832  
[www.agb.it](http://www.agb.it) - [info@agb.it](mailto:info@agb.it)

MADE IN ITALY