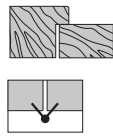
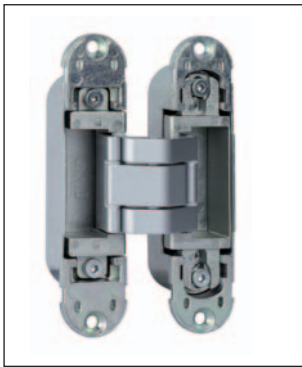


# Eclipse 2.1 - adjustable concealed hinge for flush doors in wood and aluminium, with thickness from 40 to 44 mm



### Description

Reversible concealed hinge with a frame part reduced to 20,5 mm. It is adjustable on 3 axis and allows a 180° door opening.

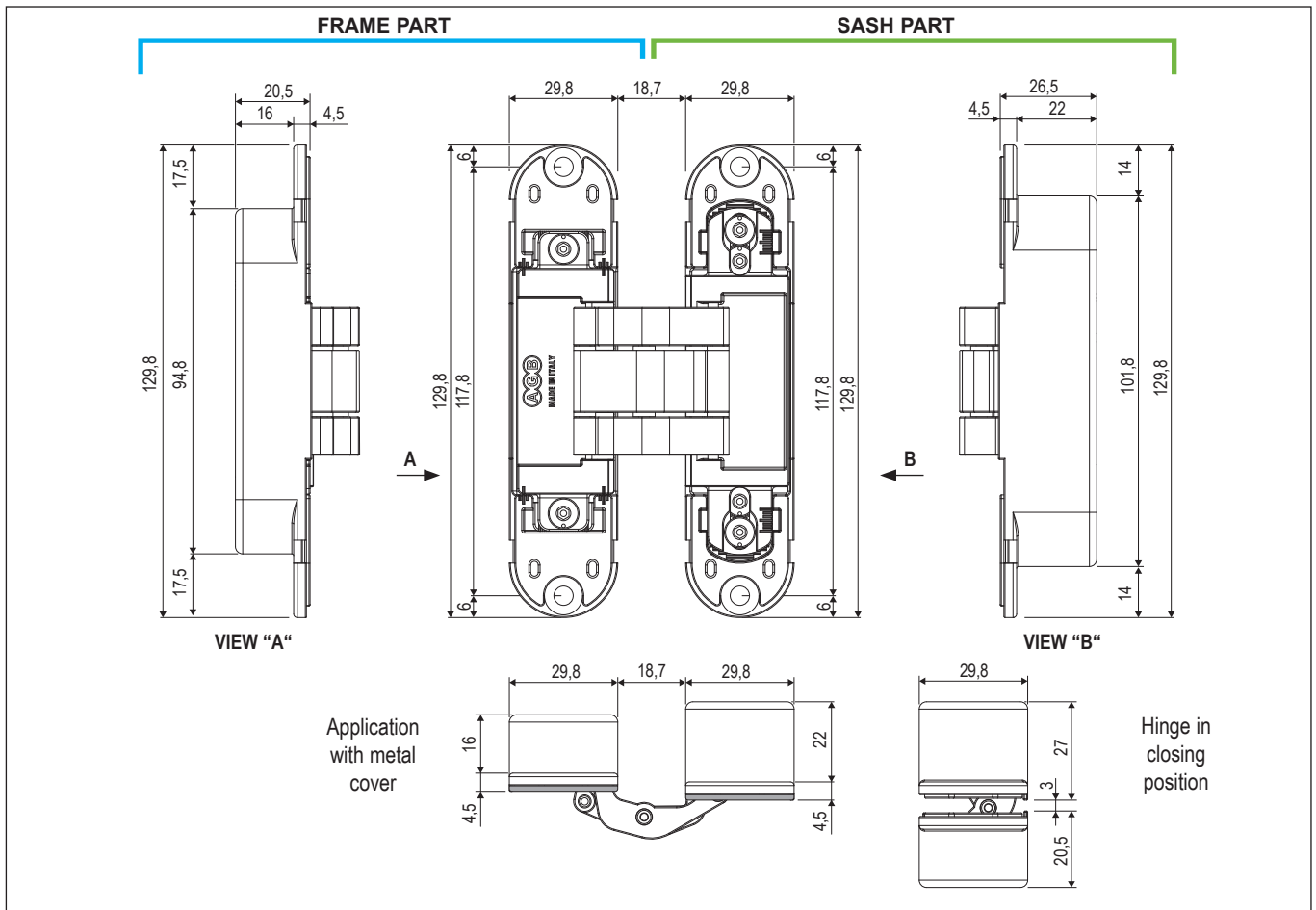
### Capacity

60 kg with 2 hinges.

**Note.** Follow the procedure on the capacity diagram for the sash maximum possible dimensions in relation to the number of hinges.

### Fastening

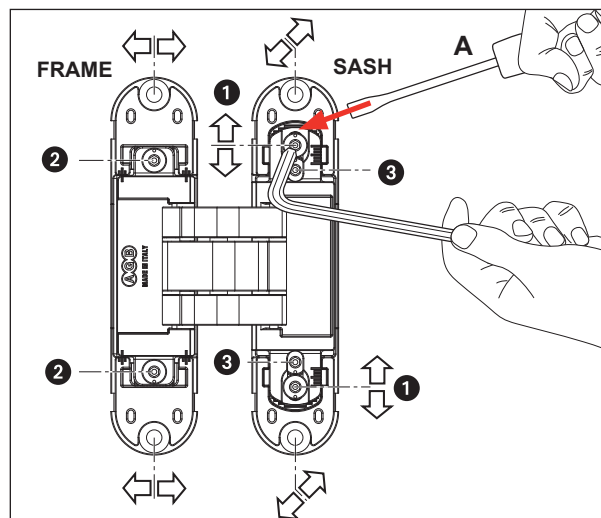
Mill the sash and frame parts as indicated in the drawing and fasten the hinge with  $\varnothing 4,5$  mm screws of suitable length.



### Available covers

FRAME	SASH

**Material: metal**  
Art. E30200.44.XX

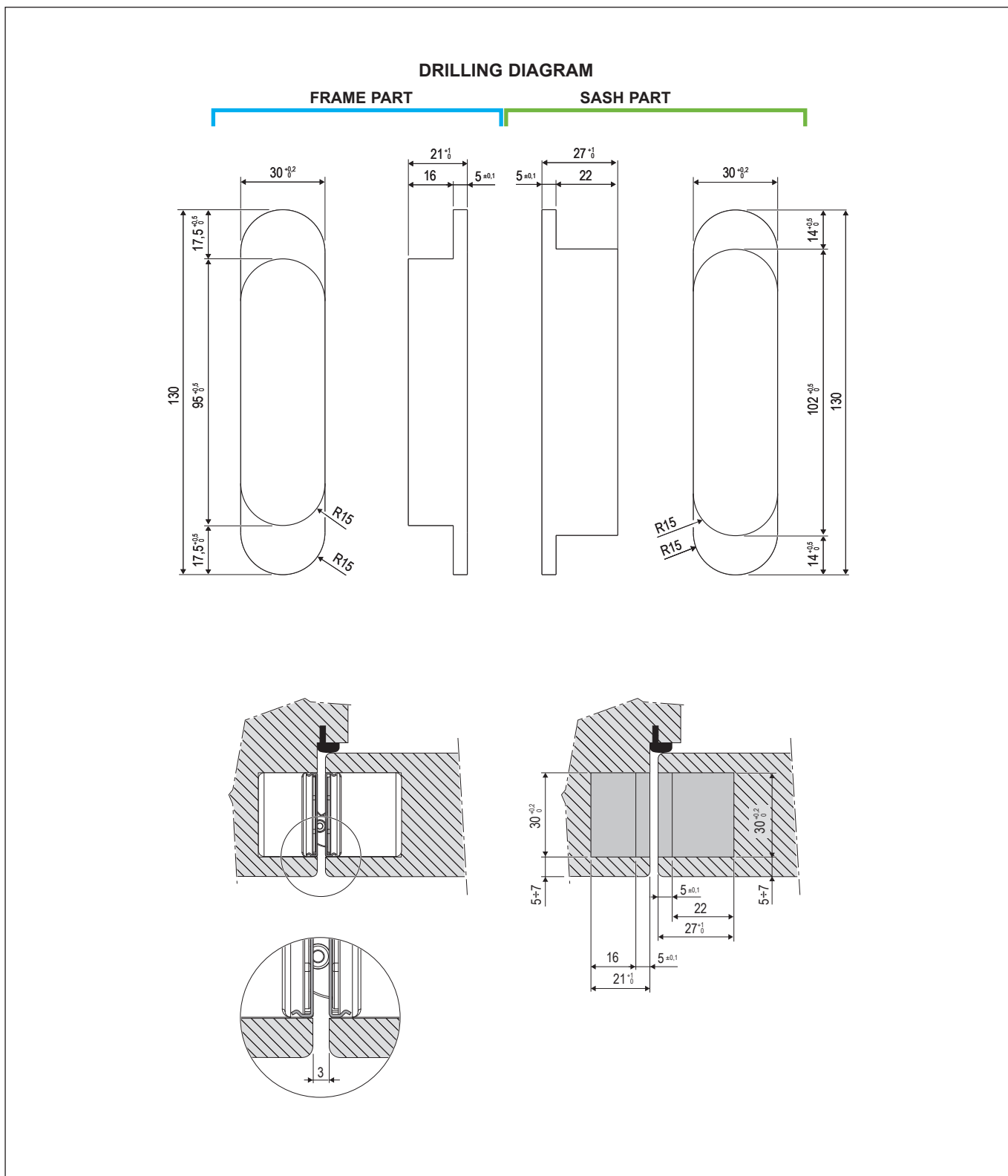


### Adjustments

Please adjust the hinges one by one with a 3 mm Allen key; reach the desired adjustment on two screws alternatively and with little movements.

- **±2 mm vertical adjustment:** loosen the screws ① by using a screwdriver (A) or a wedge which is suitable for Eclipse hinges, art. E30200.89.01. After this operation, fasten the screws.
- **±1 mm pressure adjustment:** loosen the screws ② and move the hinge body. After this operation, fasten the screws.
- **±1,5 mm horizontal adjustment:** move the screws ③.

# Eclipse 2.1 - adjustable concealed hinge for flush doors in wood and aluminium, with thickness from 40 to 44 mm



## Order specifications

Material	Article
ZAMAK	E30200.92.XX

*Note. Refer to the price list in force to check the availability of the finishes.*