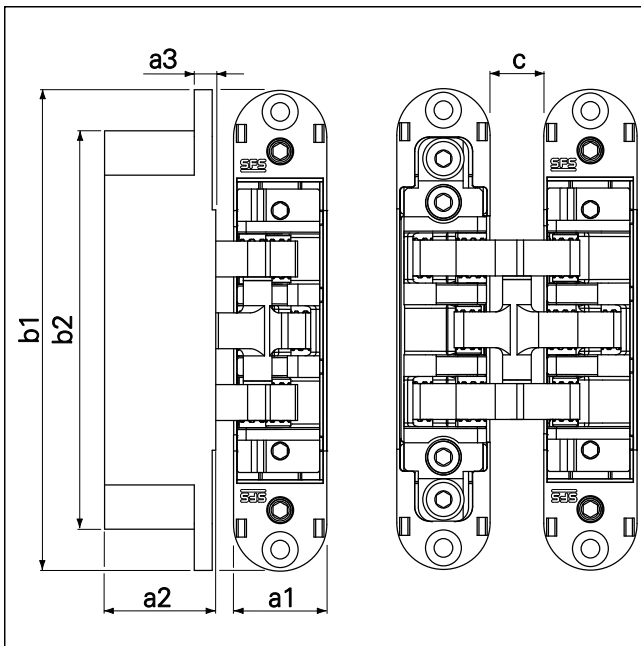


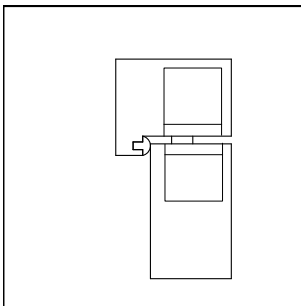
Technical data for hinge

W-Tec 3D+ 60
Concealed hinge

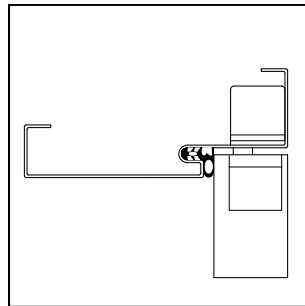


a1:	26 mm
a2:	31 mm
a3:	6 mm
b1:	134 mm
b2:	111 mm
c :	15 mm

Solid timber application



Steel frame application

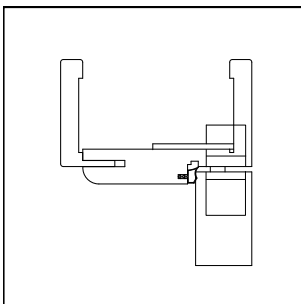


Material: Zamak and steel

Surface treatment:
Zinc coated min 5 μ

Corrosion resistance in accordance to standard
UNI EN 1670:
min. 640 hours

Cover frame application



Test in accordance to RAL Norm

Cycles tested :

200.000 Cycles

Door weight:

60 Kg

Durability test

Measurements	Cycles	Vertical wear (mm)	Lateral wear (mm)
1	5.000	0,15	0,07
2	10.000	0,33	0,19
3	15.000	0,52	0,30
4	30.000	0,76	0,44
5	50.000	1,04	0,57
6	75.000	1,12	0,62
7	90.000	1,15	0,66
8	120.000	1,22	0,67
9	150.000	1,27	0,72
10	200.000	1,34	0,86

Product Management:

Signature:

Date 22.04.2013



ISO 9001 : 2008 Quality Management System

SFS intec s.p.a. / I - 33170 Pordenone / Via Castelfranco Veneto 71 / Tel. 0434 99 51 / Fax. 0434 995 201

SFS intec