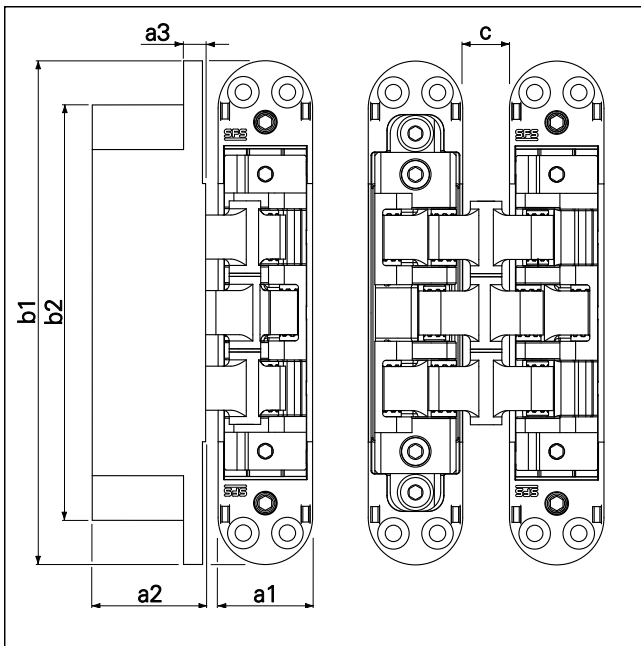


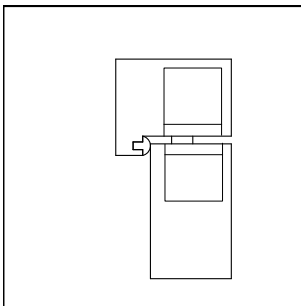
# Technical data for hinge

W-Tec 3D+ 100  
Concealed hinge

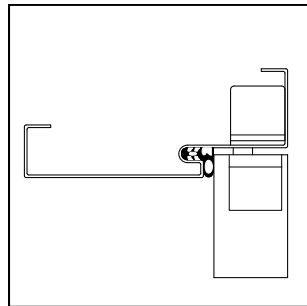


a1:	30 mm
a2:	36 mm
a3:	7 mm
b1:	160 mm
b2:	132 mm
c:	15 mm

Solid timber application



Steel frame application



Material: Zamak

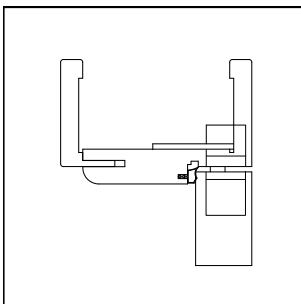
Surface treatment:

Zinc coated min 5  $\mu$

Corrosion resistance in accordance to standard  
UNI EN 1670:

min. 640 hours

Cover frame application



Test in accordance to RAL Norm

Cycles tested : 200.000 Cycles  
Door weight: 100 Kg

Durability test

Measurements	Cycles	Vertical wear (mm)	Lateral wear (mm)
1	5.000	0,07	0
2	10.000	0,14	0,02
3	15.000	0,26	0,1
4	30.000	0,3	0,12
5	50.000	0,32	0,17
6	75.000	0,4	0,21
7	90.000	0,51	0,28
8	120.000	0,62	0,35
9	150.000	0,7	0,4
10	200.000	0,98	0,5

Product Management:

Signature:

Date 07.06.2013



ISO 9001 : 2008 Quality Management System

SFS intec S.p.A / I- 33170 Pordenone / Via Castelfranco Veneto 71 / Tel. 0434 99 51 / Fax. 0434 995 201

**SFS** intec