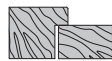


Eclipse Self - self-closing kit with covers for doors



Description

Kit with one hinge with self-closing device and one hinge without self-closing device with specific covers. Hinges are reversible for flush doors with 135° opening.

The door closing can be controlled adjusting the speed of closing and the power of the final kick to oppose gaskets resistance or depression created into the room.

Application

The hinge has been tested for a

capacity of 100 kg (door dimensions: 1200x2100 mm).

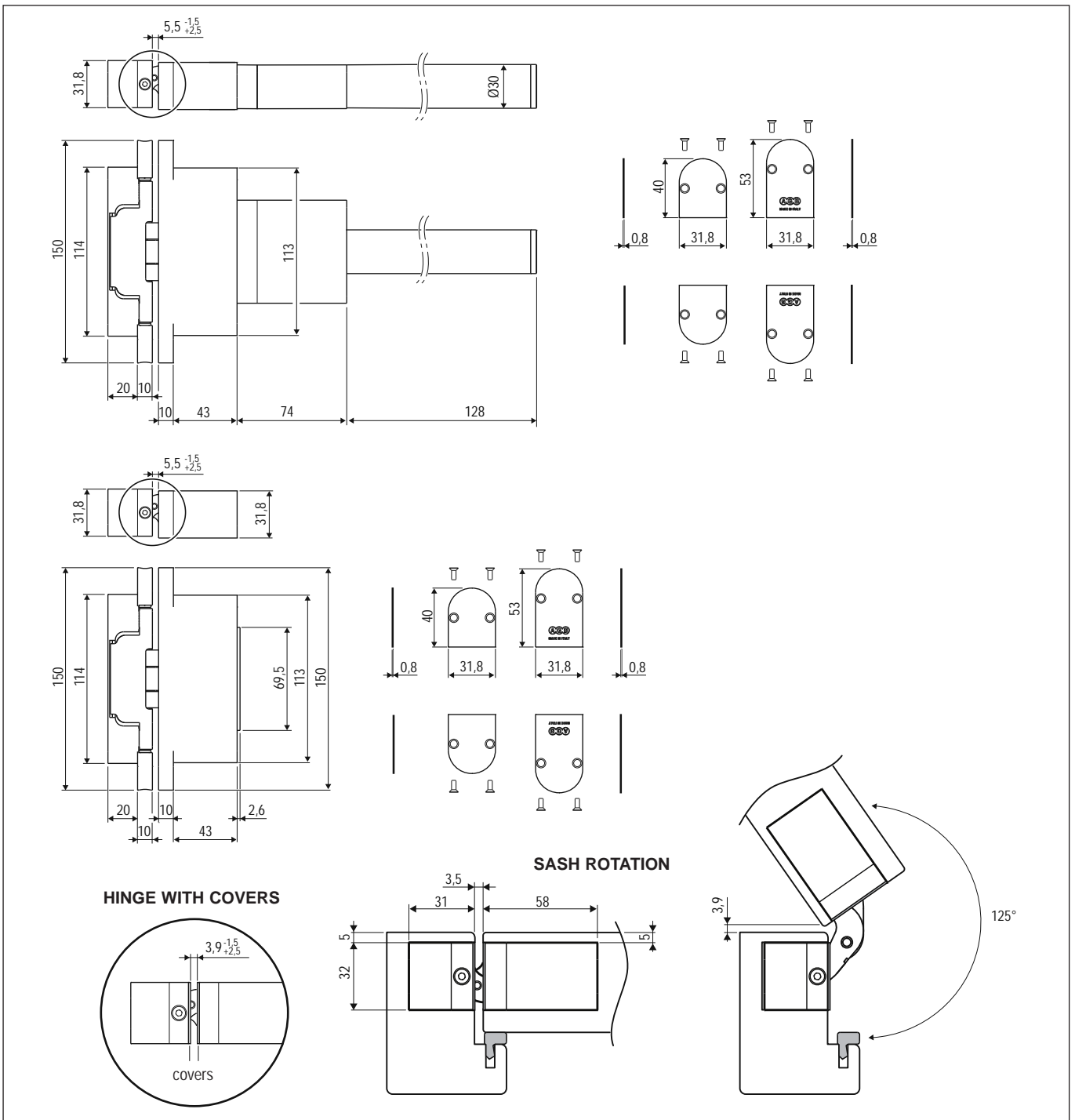
Follow the procedure on the capacity diagram for the maximum dimensions of the possible sash.

Fastening

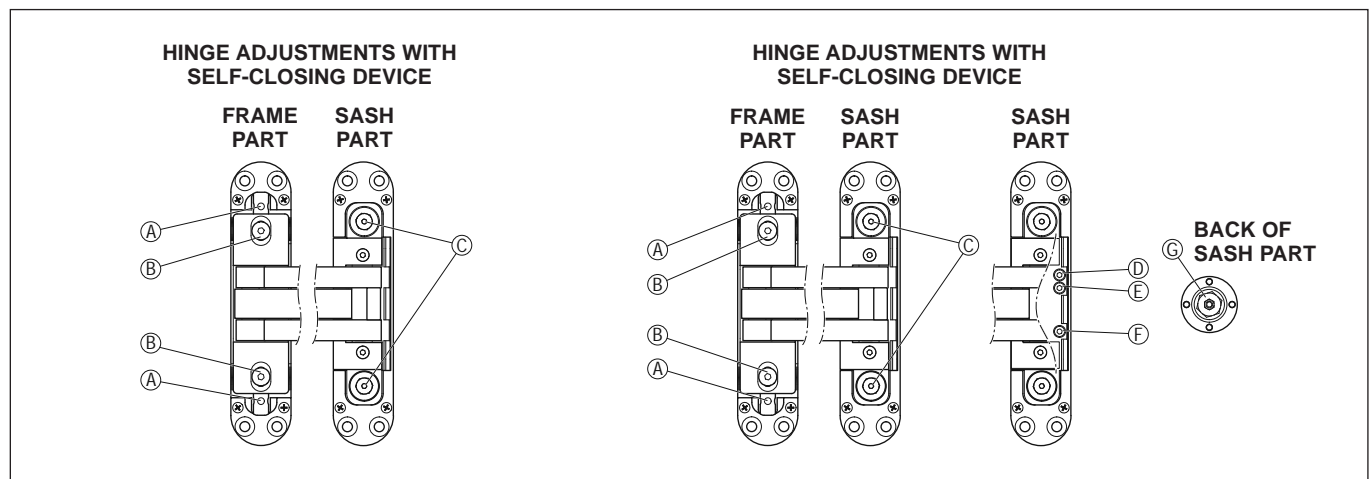
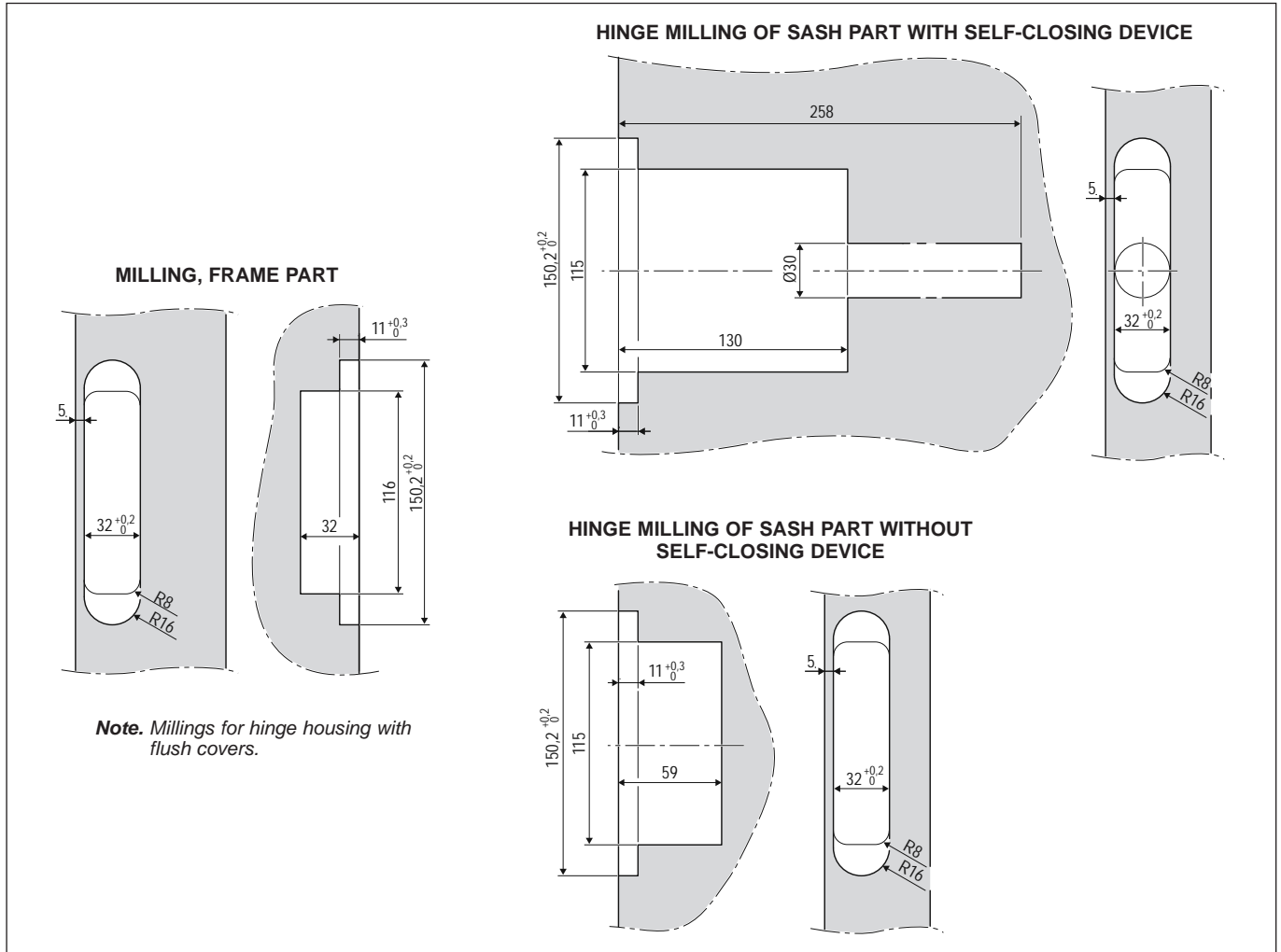
Mill the sash and the frame as indicated in the picture.

Follow the fastening procedure of the sash to the frame.

- Screws for frame part: Ø 5x30 mm
- Screws for sash part: Ø 5x50 mm



Eclipse Self - self-closing kit with covers for doors



Adjustments

The hinge can be adjusted in three ways:

- A vertical ± 2 mm, with a 3 mm Allen key;
- B pressure ± 1 mm, with a 3 mm Allen key;
- C horizontal ± 2 mm, with a 2.5 mm or 8 mm Allen key.

The door closing can be adjusted as follows:

- D power of the final step in the last 12° with a 2,5 mm Allen key;
- E maximum opening corner with a 2,5 mm Allen key;
- F speed of closing with a 2,5 mm Allen key;
- G speed of closing during rotation with a 12 mm.

This adjustment can be done only before installing the hinge; from the starting position, please never turn in counterclockwise.

Order Specifications

Article	Description
E39001.01.XX	Self-closing kit with covers for doors