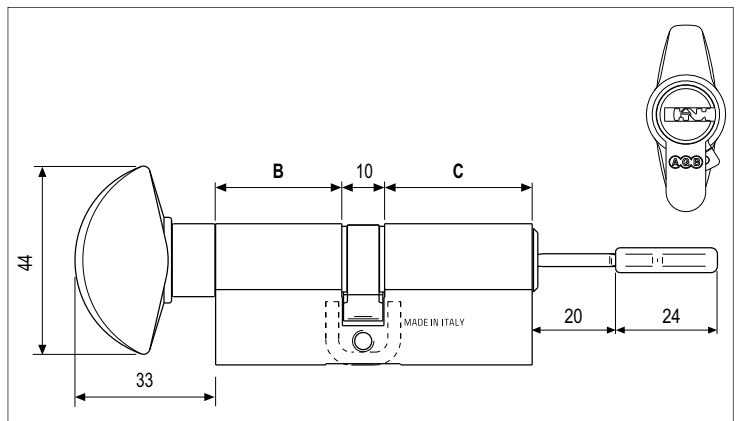
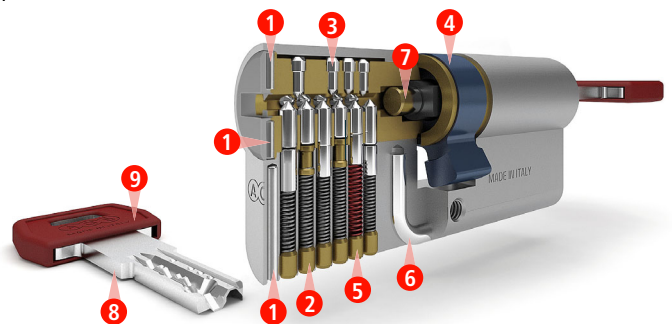


# Mod. U-Tech PS, knob - key



### Characteristics

- Security matt nickel plated brass cylinder with knob.
- Designed on the basis of the sixth intrinsic security class according with the regulation EN 1303.
- 3 hardened steel anti-drill pins. **1**
- 6 active pins **2** and 9 passive pins **3** for a wide range of coding.
- Anti-pull cam in sintered steel (23° inclination). **4**
- High-resistance to the bumping certified according with ICIM. **5**
- Stainless steel U-shaped insert prevents the extraction of the elements in case of break-in attempts. **6**
- Friction coupling and anti-pull cam. **7**
- 5 flat reversible keys with longer neck compatible with protective rim guards, torsion proof. **8** Ergonomic polyethylene grip.
- Grip can be personalised with different coloured covers. **9**
- Card for duplication with double code (key and duplication).
- Nickel plated fastening screw, M5x76 mm.



*Note. The image is indicative only.*

### Cylinder classification



EN 1303:2015 - ICIM 0039CS								
1	6	0	B	0	C	6	D	

ANTI-PICKING: Pass  
ANTI-BUMPING: Level 2

*Note. The product certifications ICIM are available at the website [www.agb.it](http://www.agb.it)*

*Note. For further information, see the introduction called "Comparative table of cylinders according with the regulations EN 1303 and EN 1627" in the cylinders technical catalogue.*

### Cylinder choice guide

Antiburglar						
Systems						
Durability						
Finish						

*Note. For further information, see the introduction called "Cylinder choice guide" in the cylinders technical catalogue.*

### Matt nickel plated brass

Article	Pins	B	C
CE2016.XX.XX	15	XX	XX

*Note. Refer to the price list in force to check the availability of measures and special finishes on demand.*