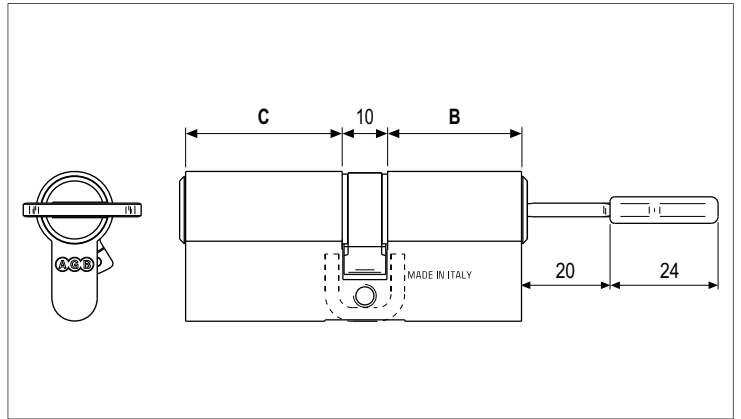
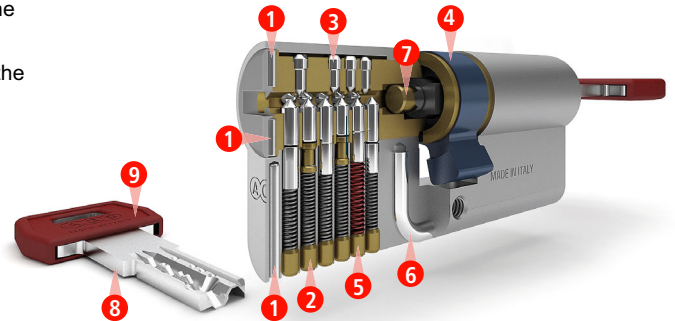


Mod. U-Tech PS, key - key double function



Characteristics

- Security matt nickel plated brass cylinder.
- "Double function" version to operate the cylinder with the key even if in the other side another key is inserted.
- Designed on the basis of the sixth intrinsic security class according with the regulation EN 1303.
- 3 hardened steel anti-drill pins. **1**
- 6 active pins **2** and 9 passive pins **3** for a wide range of coding.
- Anti-pull cam in sintered steel (28° inclination). **4**
- High-resistance to the bumping certified according with ICIM. **5**
- Stainless steel U-shaped insert prevents the extraction of the elements in case of break-in attempts. **6**
- Friction coupling and anti-pull cam to open the door even when the key is inserted on the other side. **7**
- 5 flat reversible keys with longer neck compatible with protective rim guards, torsion proof. **8** Ergonomic polyethylene grip. **9**
- Grip can be personalised with different coloured covers. **9**
- Card for duplication with double code (key and duplication).
- Nickel plated fastening screw, M5x76 mm.



Cylinder classification



EN 1303:2015 - ICIM 0039CS							
1	6	0	B	0	C	6	D

ANTI-PICKING: Pass
ANTI-BUMPING: Level 2

Note. The product certifications ICIM are available at the website www.agb.it

Note. For further information, see the introduction called "Comparative table of cylinders according with the regulations EN 1303 and EN 1627" in the cylinders technical catalogue.

Cylinder choice guide

Antiburglar						
Systems						
Durability						
Finish						

Note. For further information, see the introduction called "Cylinder choice guide" in the cylinders technical catalogue.

Matt nickel plated brass

Article	Pins	B	C
CE0016.XX.XX	15	XX	XX

Note. Refer to the price list in force to check the availability of measures and special finishes on demand.