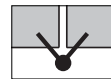


TWIN - reversible hinge for flush doors



Description

Reversible hinge for internal flush doors, minimum width 60 cm. To allow the reversibility using the pre-holes the sash thickness must be between 35 mm and 44 mm.

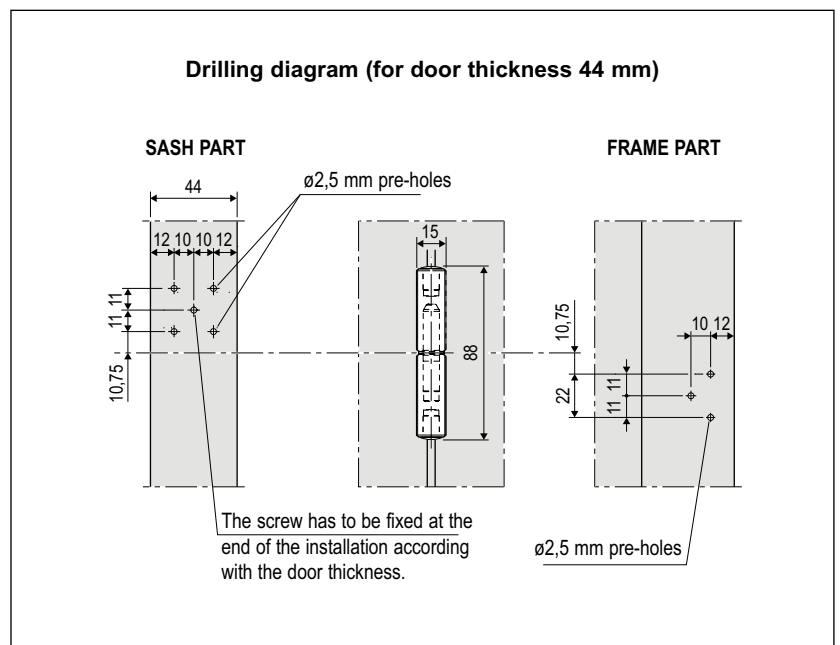
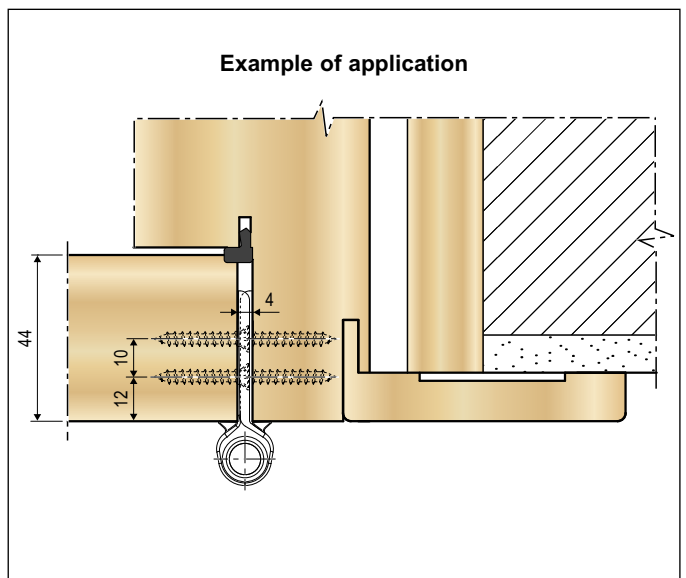
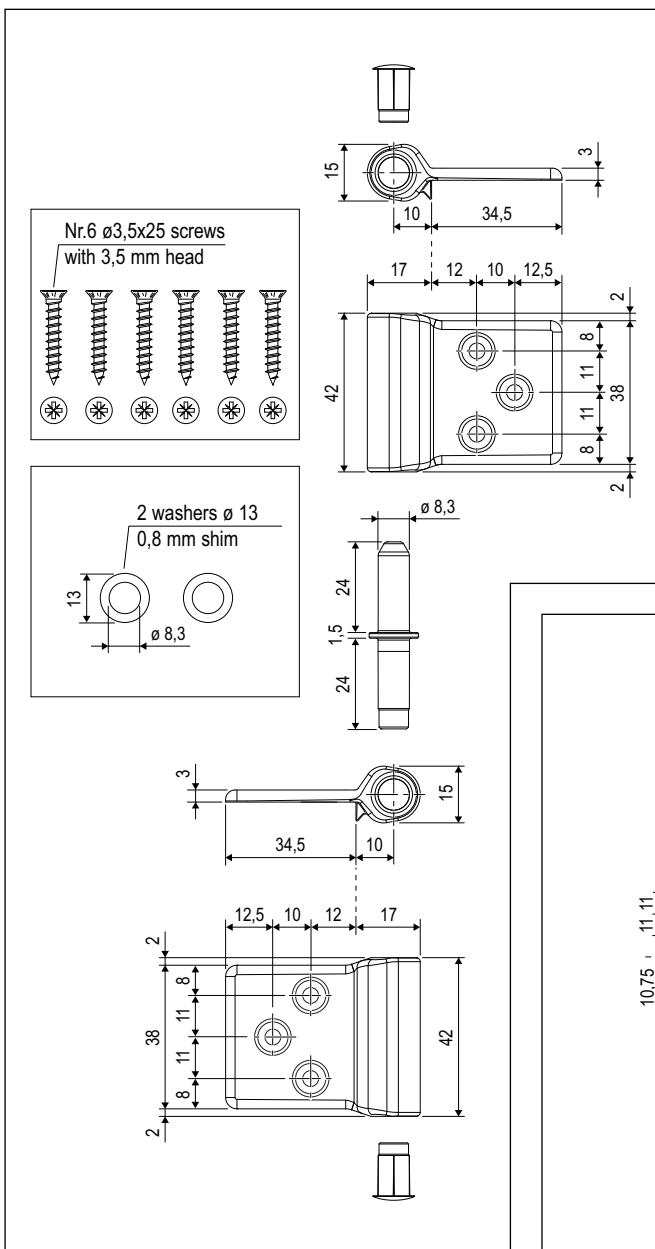
Capacity

Two hinges for one 2100x900 mm sash with weight not higher than 32 kg. We recommend the use of a third hinge to prevent the bending of the sash.

Fitting

Perform three pre-holes on the frame and four on the sash with a $\varnothing 2,5$ mm drill-bit. Fasten the hinge with 3,5x25 screws included in the package.

The third screw (the central one) has to be fixed according with the hand and the thickness of the door.



Order specifications

Material	Article
ZAMAK	E01194.14.XX

Note. Refer to the price list in force to check the availability of the finishes.