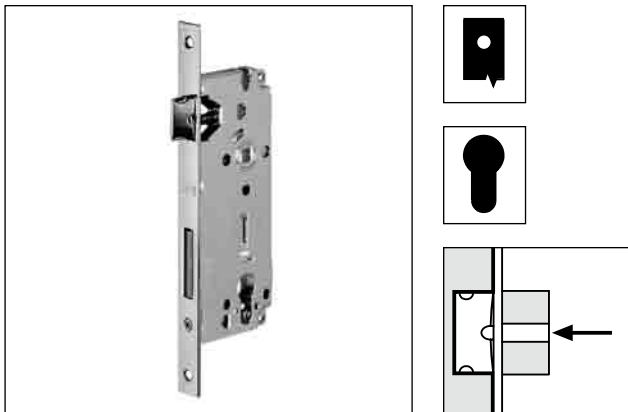


# Square ends with cylinder lock, 85 mm centre, 16 mm forend



**Description**

Embedded lock with spring latch and bolt, to be used in combination with a DIN V 18254 profile cylinder. 85 mm centre. 16 mm forend with square ends. 30 and 50 mm backsets. Steel case and forend. Reversible spring latch. Holes for mounting handles with through screws, Tenax and C-liner.

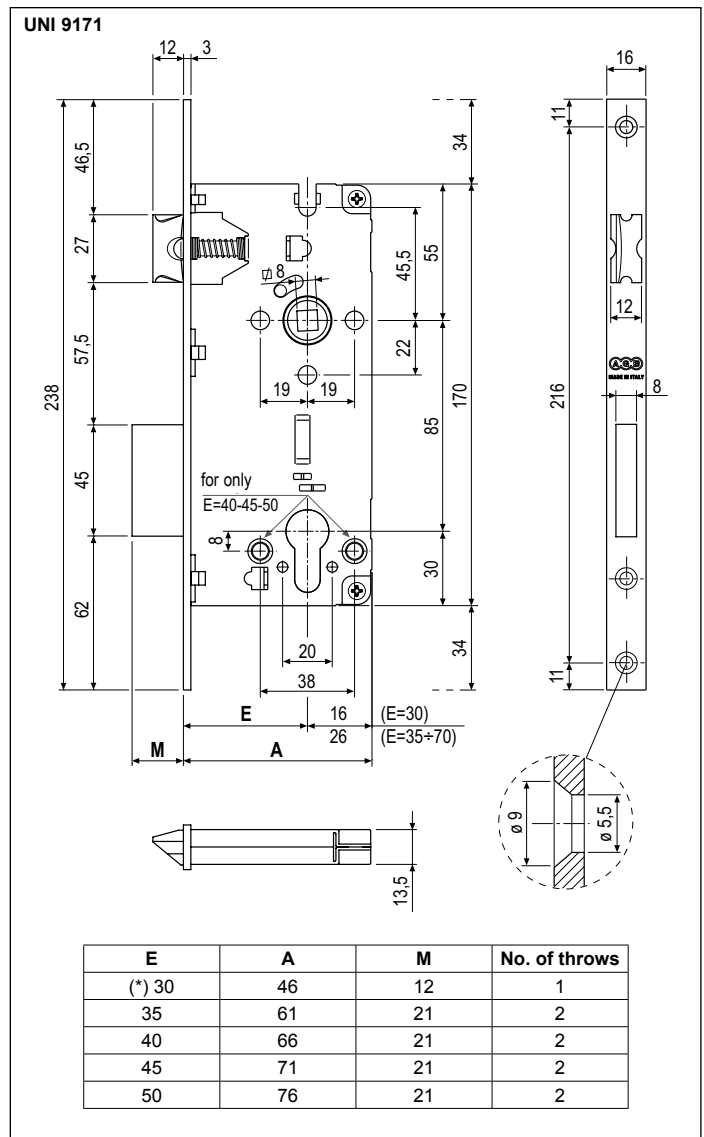
**Application**

For interior and main timber or PVC doors. Specially suitable for doors with 16 mm European groove.

**Mounting**

Prepare cutout in the door panel according to the dimensions shown in the diagram. Secure the lock with two 4,5x25 mm screws. To reverse the spring latch, push it out of the forend by pushing with a screwdriver against the screw on the back, then rotate it. For 30 mm backset, unscrew the screw, turn the latch and screw it again.

**NB.** Cardboard box containing one lock and one screw for fastening the cylinder. The striker and cylinder must be ordered separately.



(\*) For backset 30, see reversing instructions on page 01.9

**Order Specifications**

Material	SALES CODE		
	Ref.	Backset	Finish
STEEL	B00875	30-35-40-45-50	XX

**NB.** Refer to the price list in force to check the availability of the finishes.