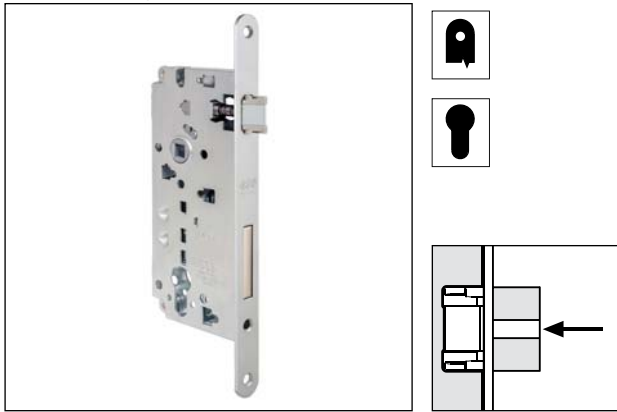


Sicurezza 2.0 with co-moulded latch, round ends with cylinder hole, 85 mm centre, 18 mm forend



Description

Embedded lock with patented co-moulded self-lubricating latch and bolt, to be used in combination with a DIN V 18254 profile cylinder. 85 mm centre. 18 mm forend with round ends. 35 and 60 mm backsets. Steel case and forend. Reversible spring latch. Holes for mounting handles with through screws, Tenax and C-liner.

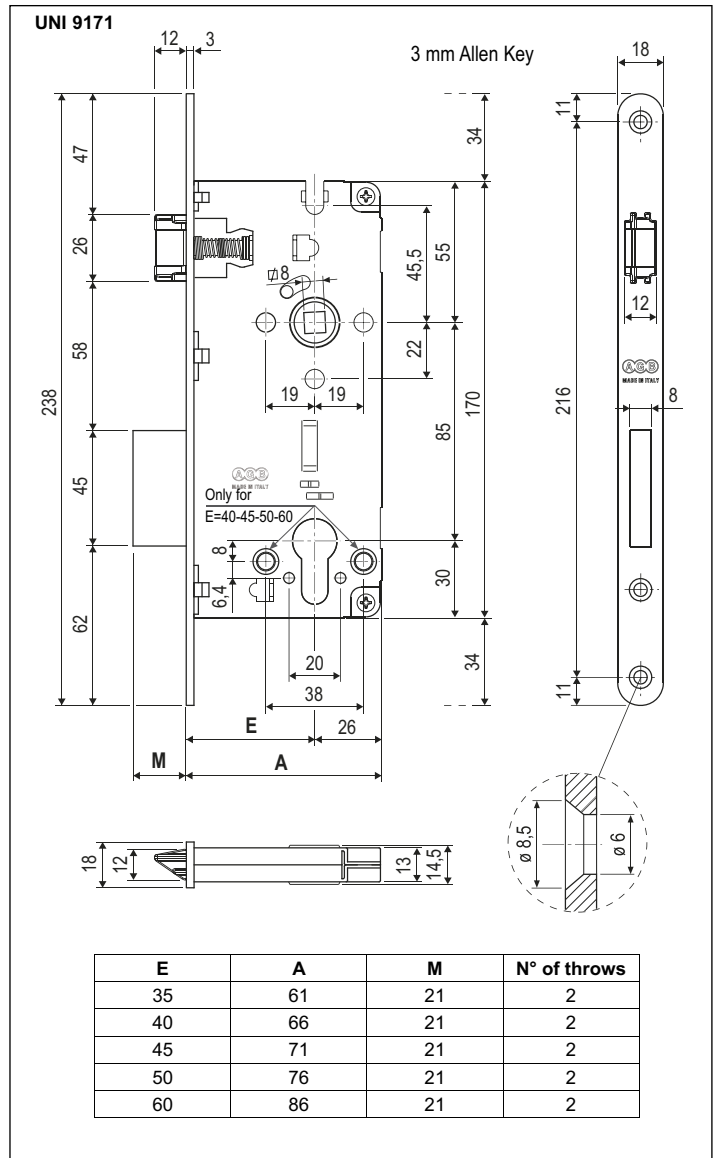
Application

For interior and main timber doors.

Mounting

Prepare cutout and mill the panel according to the dimensions shown in the diagram. Secure the lock with two 4,5x25 mm screws. To reverse the spring latch, push it out of the forend by pushing with a screwdriver against the screw on the back, then rotate it.

Note. Cardboard box contains one lock and one screw for fastening the cylinder. The striker and cylinder must be ordered separately.



Order Specifications

Material	SALES CODE		
	Ref.	Backset	Finish
STEEL	B80860	35-40-45-50-60	XX

Note. For backsets 40-45-50-60 there are the holes for extensible screw.

Note. Refer to the price list in force to check the availability of the finishes.