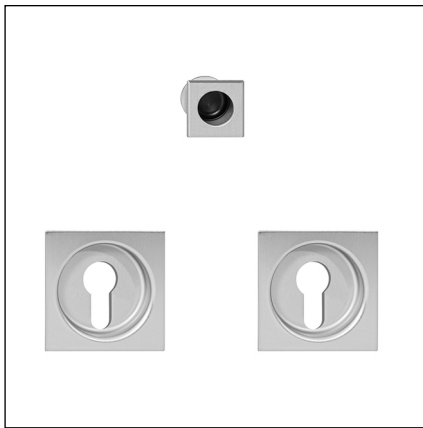


Scivola Tre square - Kit K - with cylinder hole



Description

Kit with pulls with cylinder hole.

Application

To be used in combination with Scivola Tre lock with claw hook on sliding or folding interior timber doors.



Mounting

The pulls are secured by embedding. Milling cutters art. Z00005.48.01- 48 mm diameter, are available for milling the pull recesses.

Note. All the kit components come in a single package.

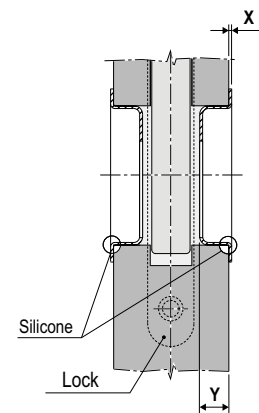
Example of application with Scivola Tre lock

Contents of the kit

	
1	2

E = Lock backset

HANDLES ASSEMBLY



Order Specifications

Material	Article	X	Y
BRASS	B01930.05.XX	2,5	12
STEEL	B01930.15.XX	1	12,5

NB. Refer to the price list in force to check the availability of the finishes.