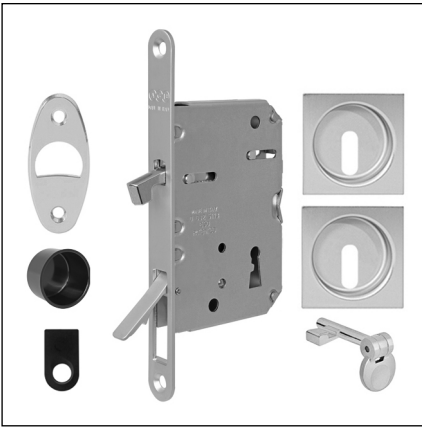


# Scivola Tre Class square - Kit M - key only, 40-48 mm door thickness

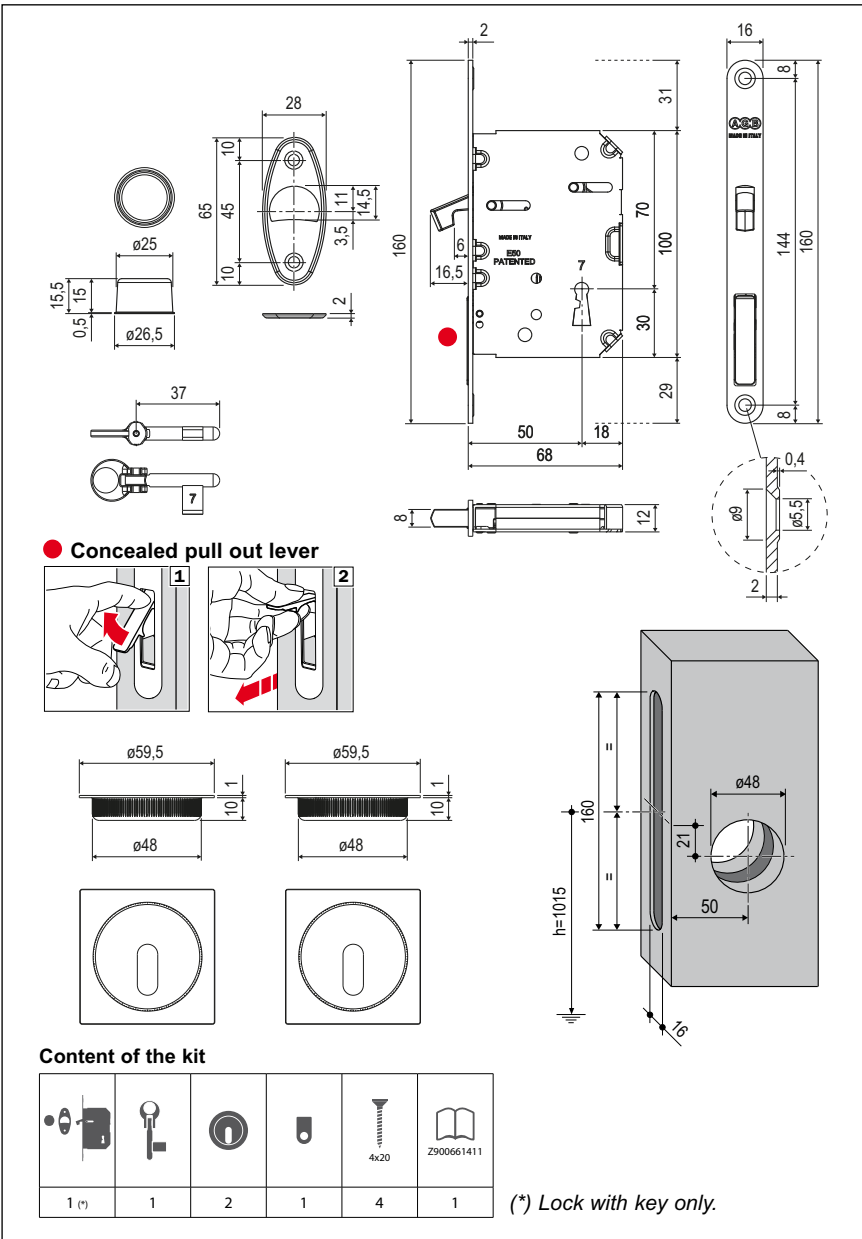


**Use**

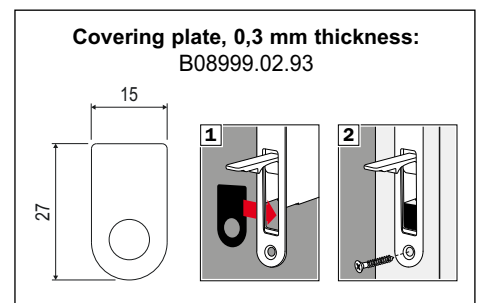
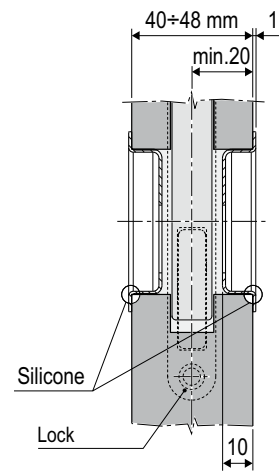
To make the sash sliding, use the pull out lever placed in the lock forend. The ergonomic grip allows to overpass the resistance of the systems regarding the brake of sliding doors.

**Fastening**

The pull handles are secured by embedding, aided by silicone. Follow the assembly instructions provided with the kit. Milling cutters art. Z00005.48.01 - 48 mm diameter, are available to mill the pull handle recesses.



**HANDLES ASSEMBLY**



**Order Specifications**

Material	Article	
STEEL	B04652.50.XX	1

**Note.** Refer to the price list in force to check the availability of the finishes.