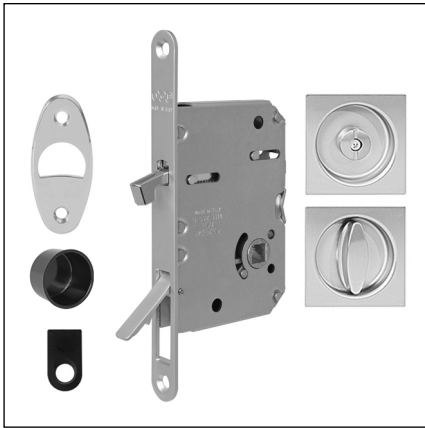


Scivola Tre Class square - Kit A - knob/button, 40-48 mm door thickness



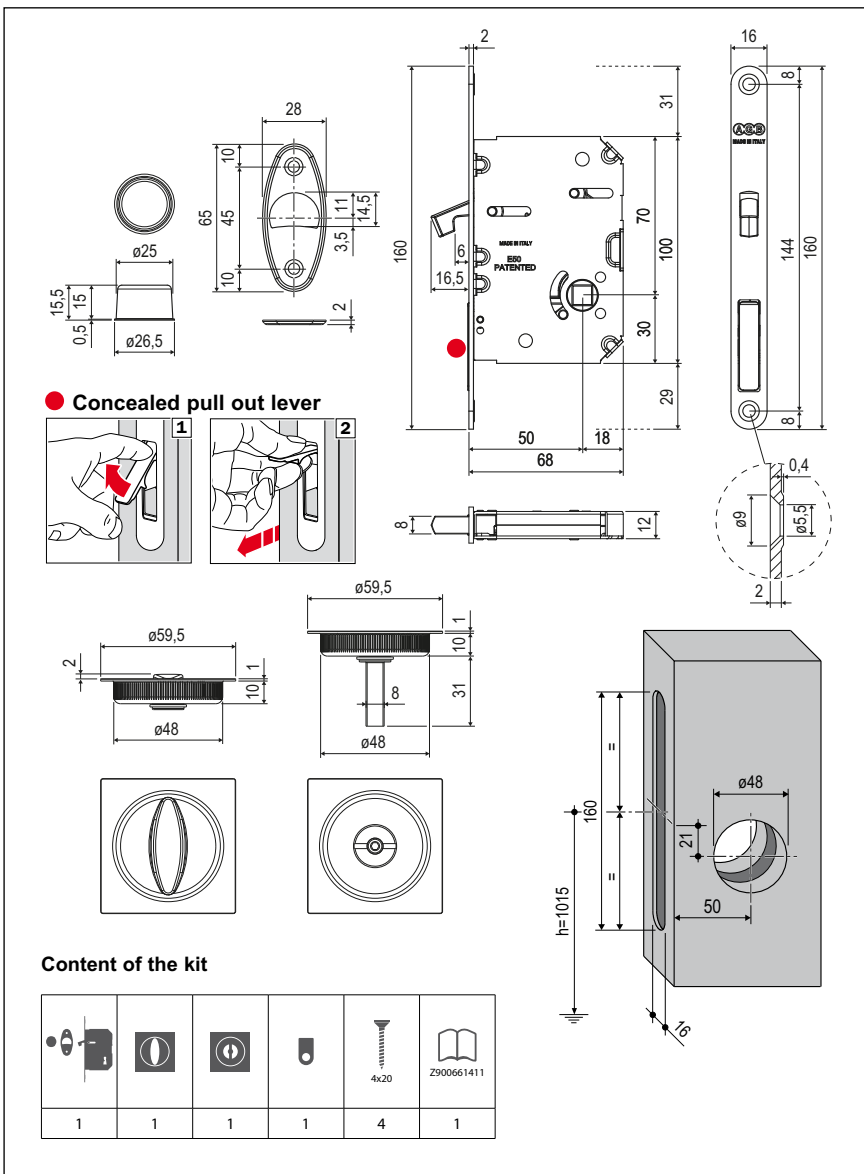
Use

To make the sash sliding, use the pull out lever placed in the lock forend. The ergonomic grip allows to overpass the resistance of the systems regarding the brake of sliding doors.

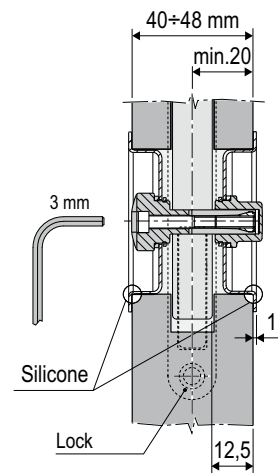
Fastening

The pull handels are directly secured by expansion squared spindle, automatically adapting to 40+48 mm wide doors.

Follow the assembly instructions provided with the kit. Milling cutters art. Z00005.48.01 - 48 mm diameter, are available to mill the pull handle recesses.



HANDLES ASSEMBLY



Order Specifications

Material	Article
STEEL	B04651.50.XX

Note. Refer to the price list in force to check the availability of the finishes.

Covering plate, 0,3 mm thickness:
B08999.02.93

