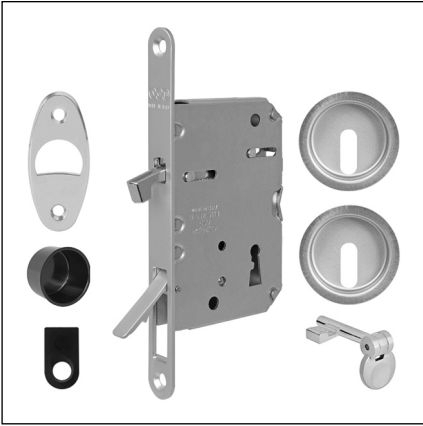


Scivola Tre Class round - Kit M - key only, 40-48 mm door thickness

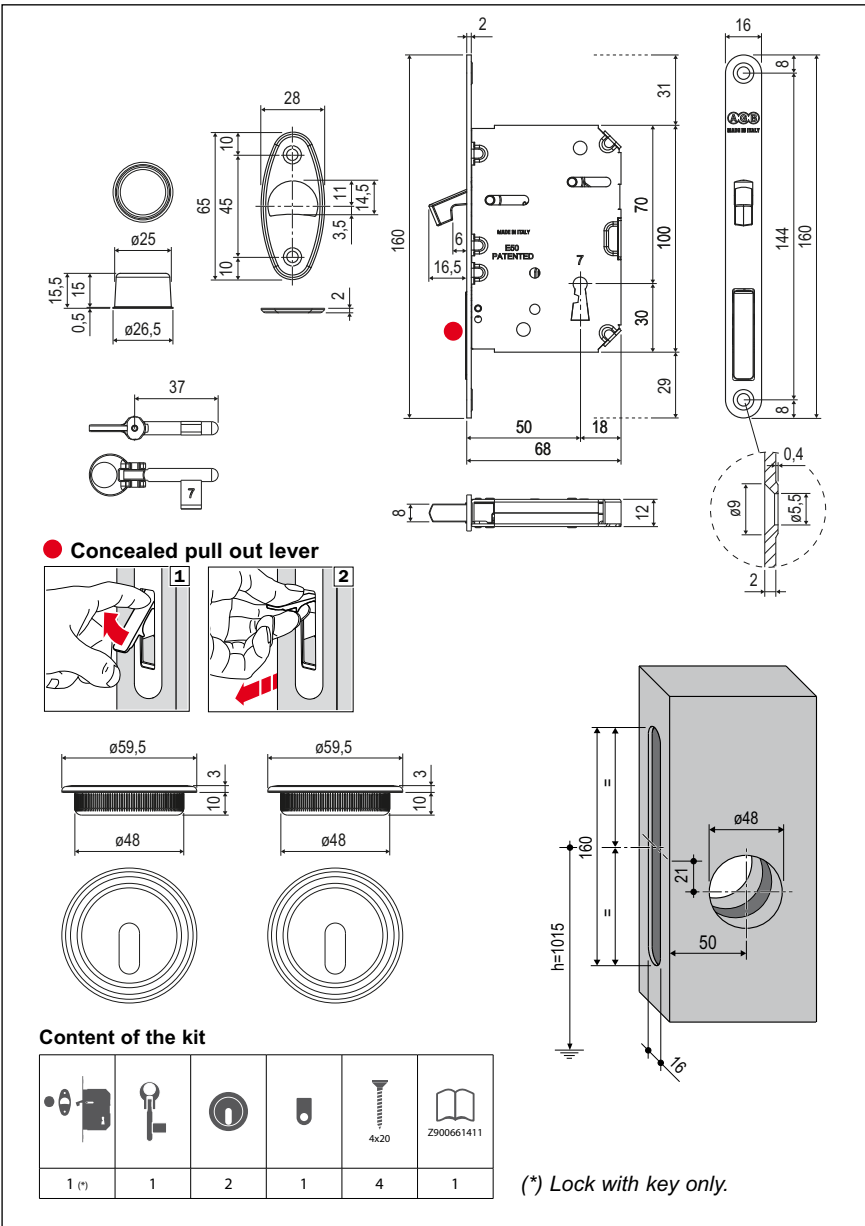


Use

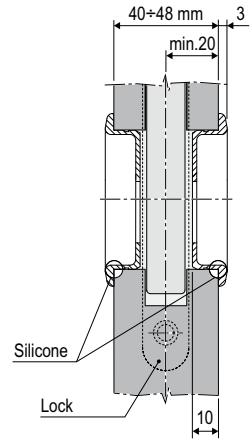
To make the sash sliding, use the pull out lever placed in the lock forend. The ergonomic grip allows to overpass the resistance of the systems regarding the brake of sliding doors.

Fastening

The pull handles are secured by embedding, aided by silicone. Follow the assembly instructions provided with the kit. Milling cutters art. Z00005.48.01- 48 mm diameter, are available to mill the pull handle recesses.



HANDLES ASSEMBLY



Order Specifications

Material	Article	
STEEL	B04682.50.XX	1

Note. Refer to the price list in force to check the availability of the finishes.

