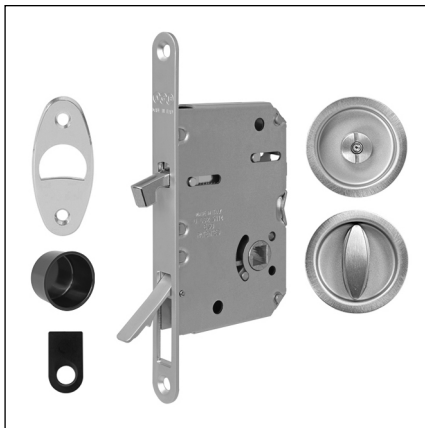


Scivola Tre Class round - Kit A - knob/button, 40-48 mm door thickness



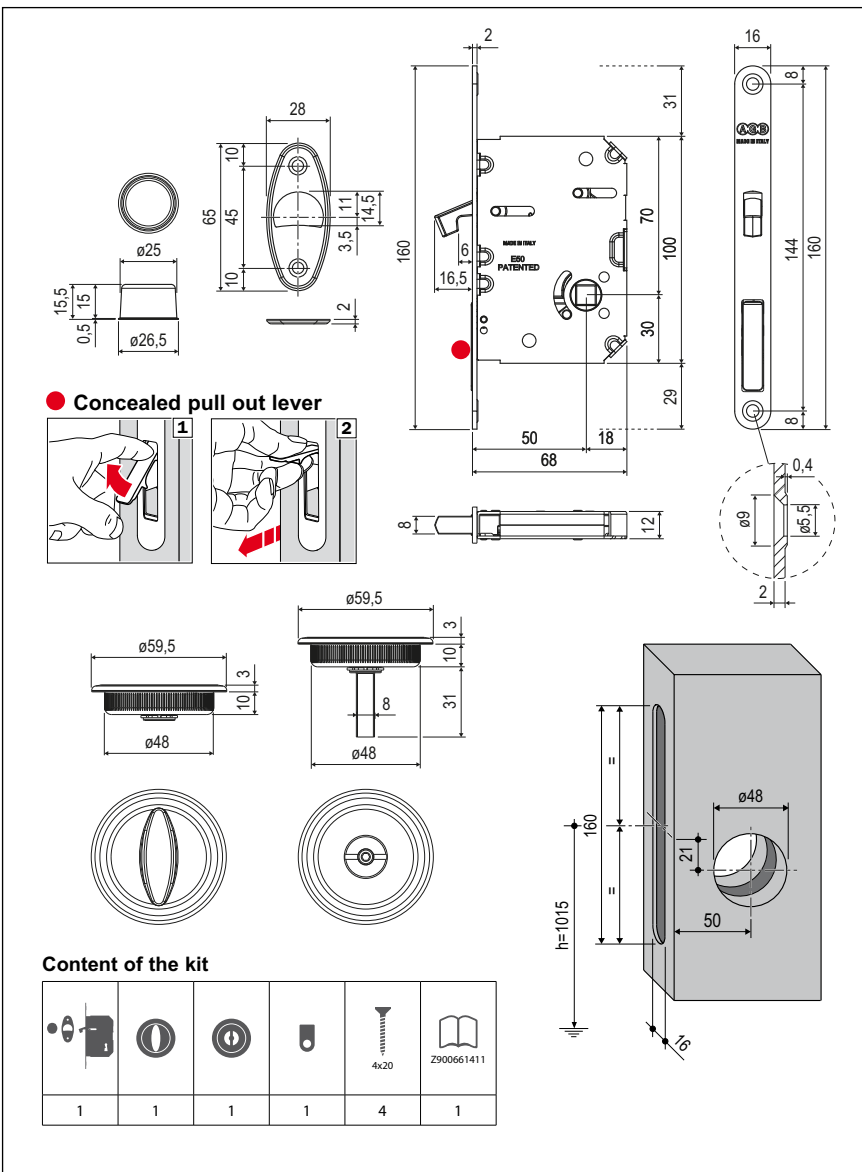
Use

To make the sash sliding, use the pull out lever placed in the lock forend.
The ergonomic grip allows to overpass the resistance of the systems regarding the brake of sliding doors.

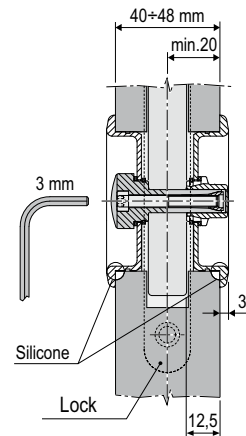
Fastening

The pull handles are directly secured by expansion squared spindle, automatically adapting to 40+48 mm wide doors.

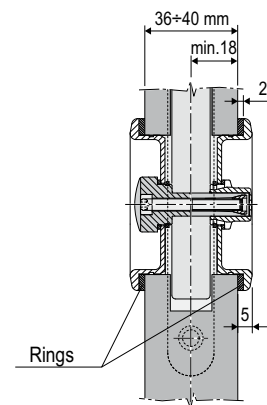
Follow the assembly instructions provided with the kit. Milling cutters art. Z00005.48.01 - 48 mm diameter, are available to mill the pull recesses.



HANDLES ASSEMBLY



Ø48 mm RING FOR 36+40 mm APPLICATION FIELDS



Order Specifications

Material	Article
STEEL	B04681.50.XX

Note. Refer to the price list in force to check the availability of the finishes.

Covering plate, 0,3 mm thickness: B08999.02.93

