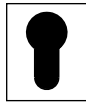
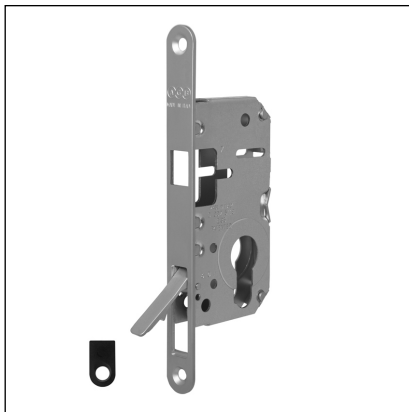
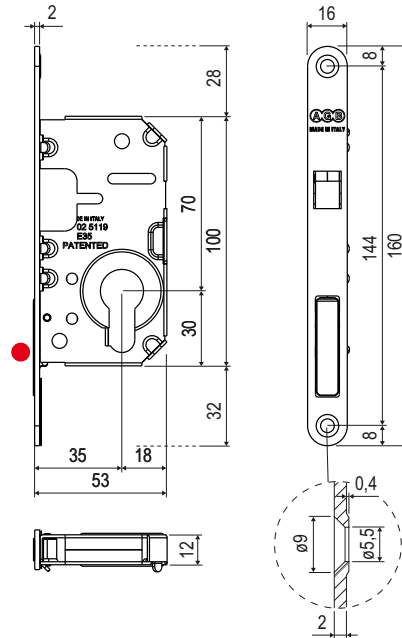


Scivola Tre Class - cylinder, striker for second sash



UNI 9171



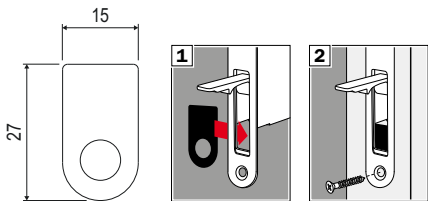
Use

To make the sash sliding, use the pull out lever placed in the lock forend. The ergonomic grip allows to overpass the resistance of the systems regarding the brake of sliding doors.

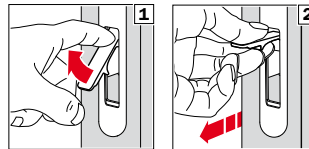
Fastening

Fasten the lock and striker with four 4x20 mm screws.


Covering plate with shim 0,3 mm:
B08999.02.93



● Concealed pull out lever



Order Specifications

Material	Article	
STEEL	B08987.35.XX	1

Note. Refer to the price list in force to check the availability of the finishes.