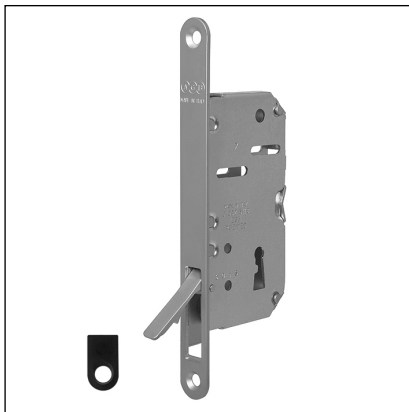
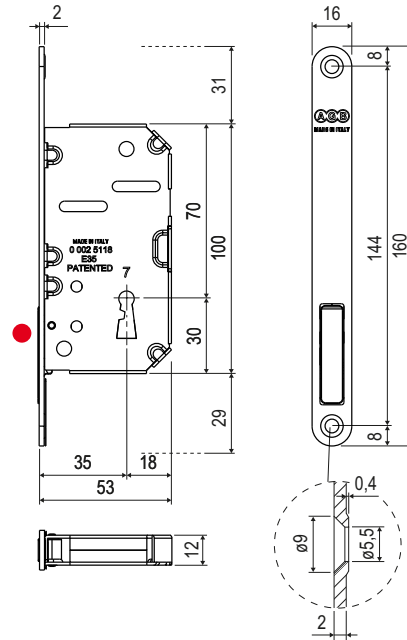


# Scivola Tre Class - blind covering plate



UNI 9171

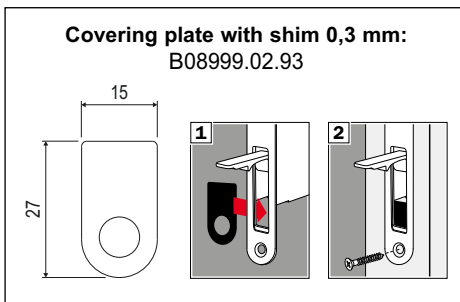


**Use**

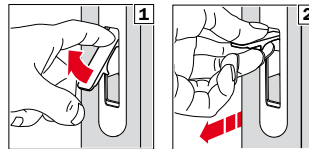
To make the sash sliding, use the pull out lever placed in the lock forend. The ergonomic grip allows to overpass the resistance of the systems regarding the brake of sliding doors.

**Fastening**

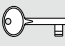
Fasten the lock and striker with four 4x20 mm screws.



**● Concealed pull out lever**



**Order Specifications**

Material	Article	
STEEL	B08984.35.XX	1

**Note.** Refer to the price list in force to check the availability of the finishes.