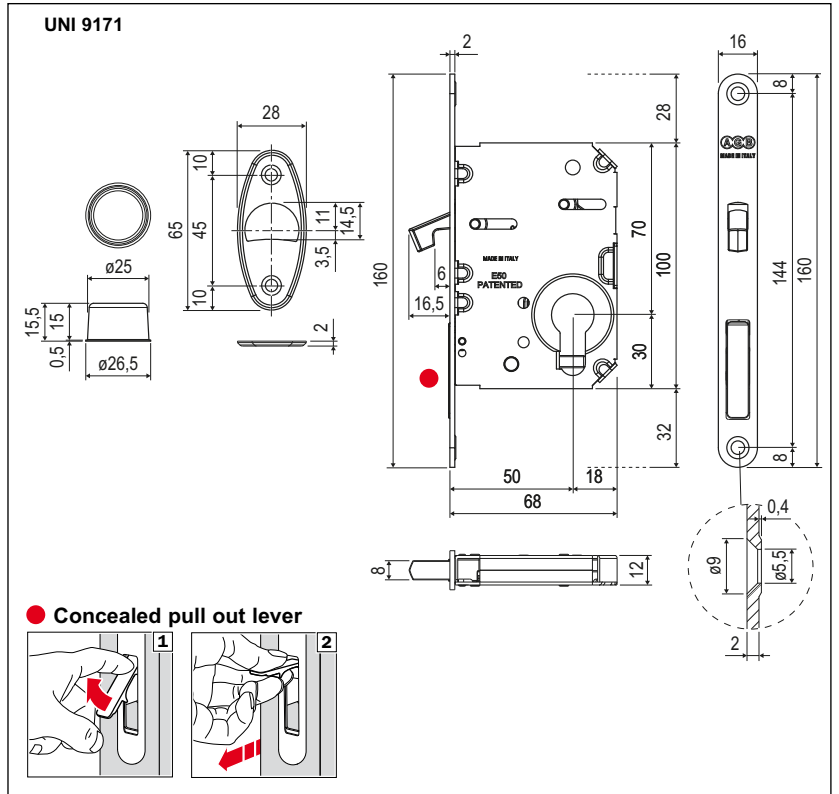
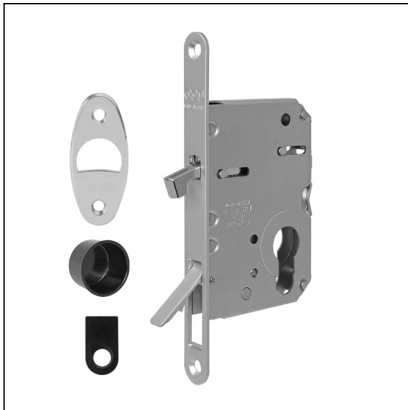


# Scivola Tre Class - 16 mm forend, cylinder hole

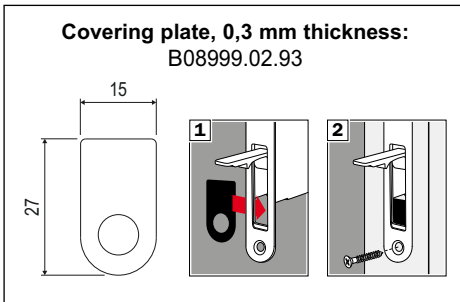


**Use**

The hub of the handle operates the hook which can be locked by the key.  
 To make the sash sliding, use the pull out lever placed in the lock forend.  
 The ergonomic grip allows to overpass the resistance of the systems regarding the brake of sliding doors.

**Fastening**

Fasten the lock and striker with 4 screws 4x20 mm.



**Order Specifications**

Material	Article
STEEL	B08982.50.XX

**Three locks, one milling**

