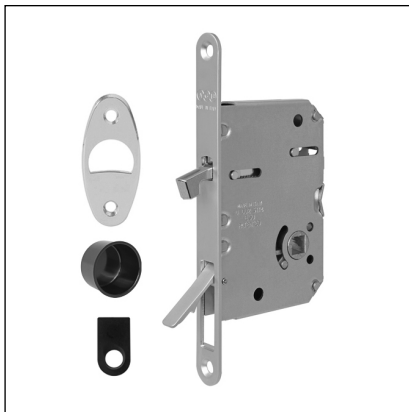


Scivola Tre Class - 16 mm forend, 8 mm hub

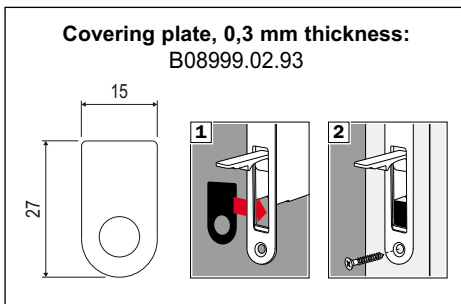
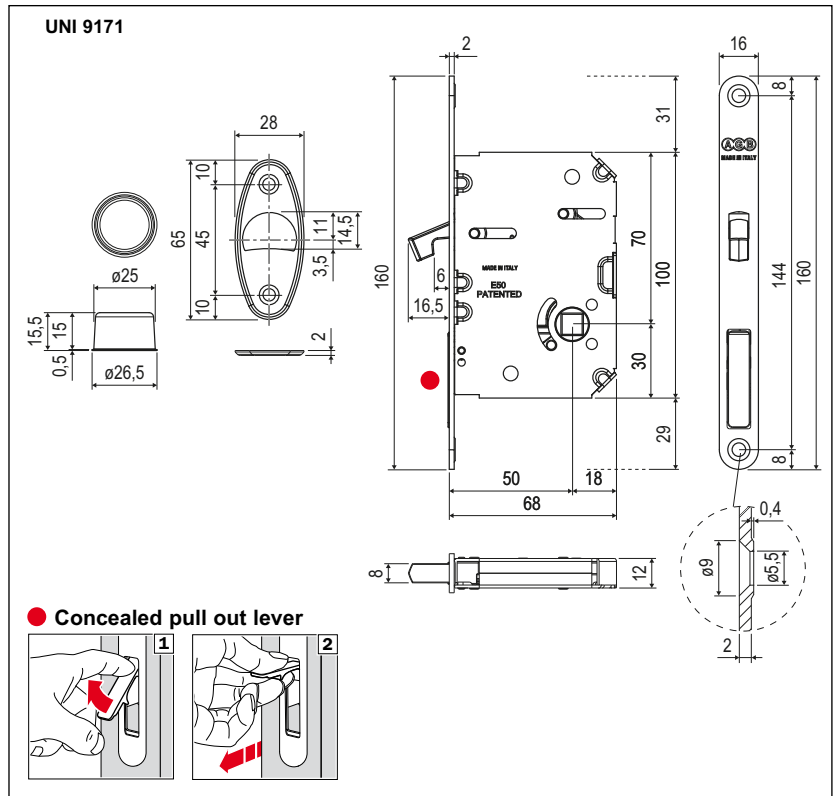


Use

The hub of the handle operates the hook which can be locked by the bathroom lock. To make the sash sliding, use the pull out lever placed in the lock forend. The ergonomic grip allows to overpass the resistance of the systems regarding the brake of sliding doors.

Fastening

Fasten the lock and striker with 4 screws 4x20 mm.



Order Specifications

Material	Article
STEEL	B08981.50.XX

Three locks, one milling

