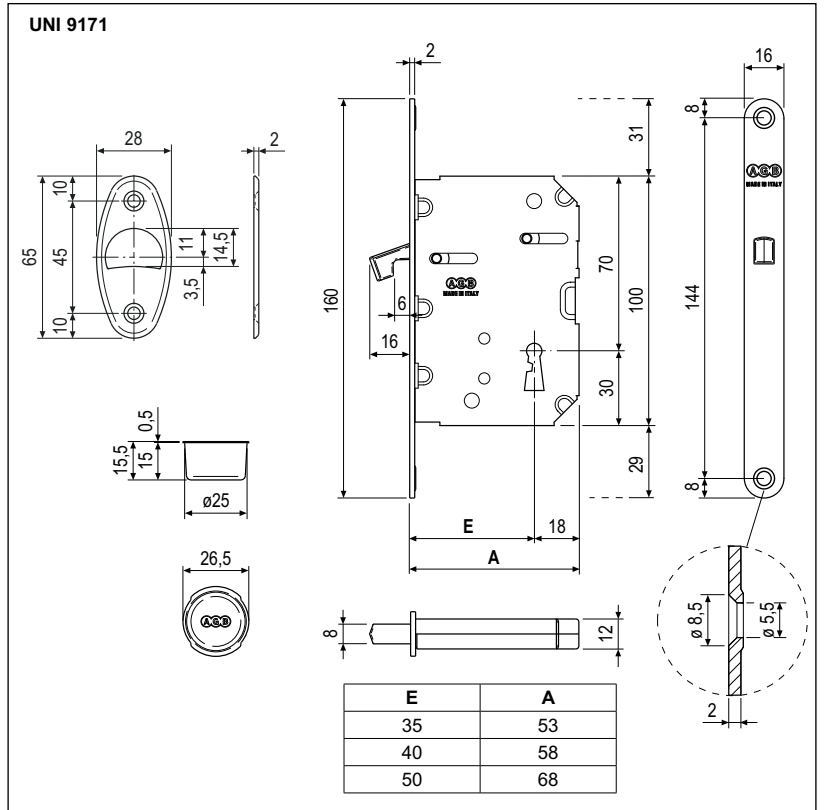
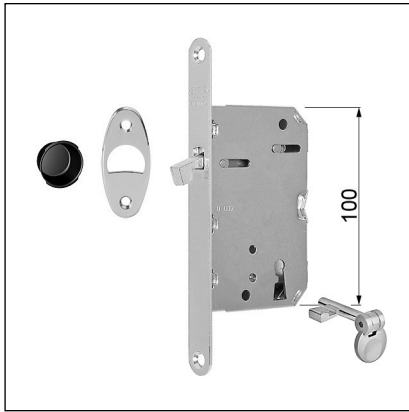


# Scivola Tre - 16 mm forend, key



**Description**

Embedded lock with receding hook, striker included. Made entirely of steel. 16 mm forend with round ends. 35 and 50 mm backset, 40 on request. Articulated key with single differ. Striker with frontal maximum width 28 mm.

**Use**

Lock for internal sliding doors with hook, which throws from the lock forend and rotate onto the striker plate when closing. The coupling between door and frame is guaranteed by the extension of the lock. The hub of the handle operates the hook which can be locked by the key.

**Fastening**

Prepare cutout and mill the panel according to the dimensions shown in the diagram. Secure the lock and striker with four 4x20 mm screws.

**Note.** Each pack contains a lock with striker, pocket and articulated key.

**Order Specifications**

Material	Article	
STEEL	B08920.35.XX	1
	B08920.40.XX	1
	B08920.50.XX	1

**Order Specifications - key with reduced neck**

Material	Article	
	B08923.50.XX	1

**Note.** Refer to the price list in force to check the availability of the finishes.

**Three locks, one mill**

