

Scivola TT round - Kit P - knob/knob, no key, 38-48 door tickness



Description

Lock kit with opposing hooks and two brass flush pulls with thumb turn. All the elements have been designed to eliminate any superfluous projections.

Use

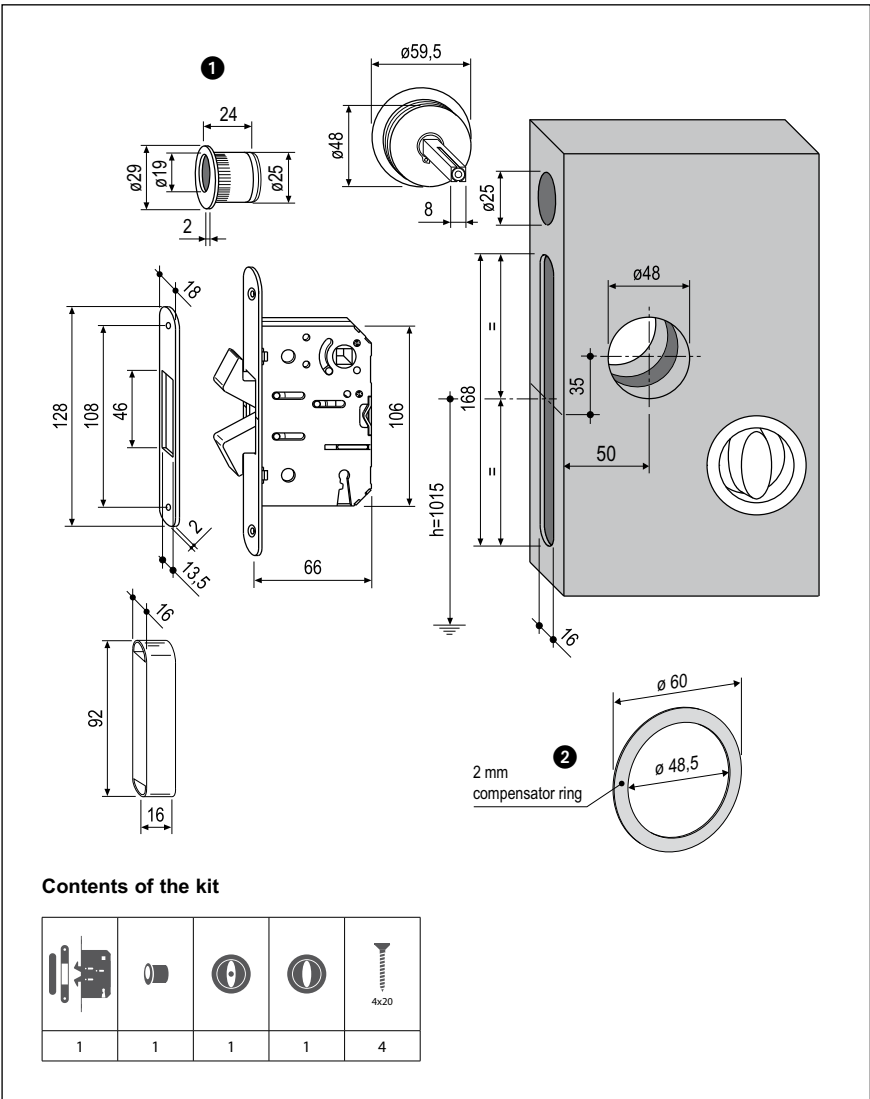
For concealed sliding or folding timber doors on rooms where the door is closed from both sides and locking with the key is not required. For 38 ÷ 48 mm thick doors.

Fastening

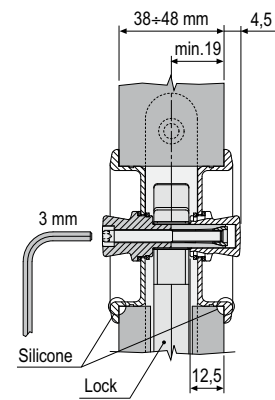
The pulls are directly secured by expansion

squared spindle, automatically adapting to 38 ÷ 48 mm wide doors, without any additional screw or plastic striker plate. The thumb turns are secured by embedding, aided by silicone. Follow the assembly instructions provided with the kit. Milling cutters art. Z00005.48.01- 48 mm diameter, are available for milling the pull recesses.

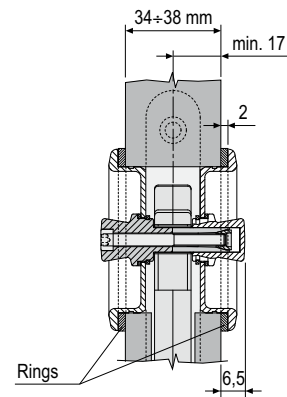
Note. All the kit components come in a single package.



HANDLES ASSEMBLY



Ø48 MM RING FOR 34-38 MM DOOR THICKNESS



Order Specifications

Ref.	Article
1	B02916.50.XX
2	B00700.30.XX

Note. Refer to the price list in force to check the availability of the finishes.