

Scivola TT oval - Kit N - key only, 38-47 door thickness



Description

Scivola TT lock kit without hub, with opposing hooks actuated by an articulated key that folds into the recess of two brass plates. All the elements have been designed to eliminate any superfluous projections.

Use

For concealed sliding or folding timber doors with a thickness of 38 to 47 mm, on rooms where the door is closed and locked from both sides.

Fastening

The plates are not secured by visible screws but snap onto striker plates. Follow the assembly instructions provided with the kit.

Note. All the kit components come in a single package.

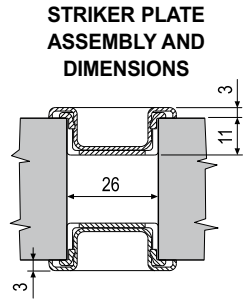
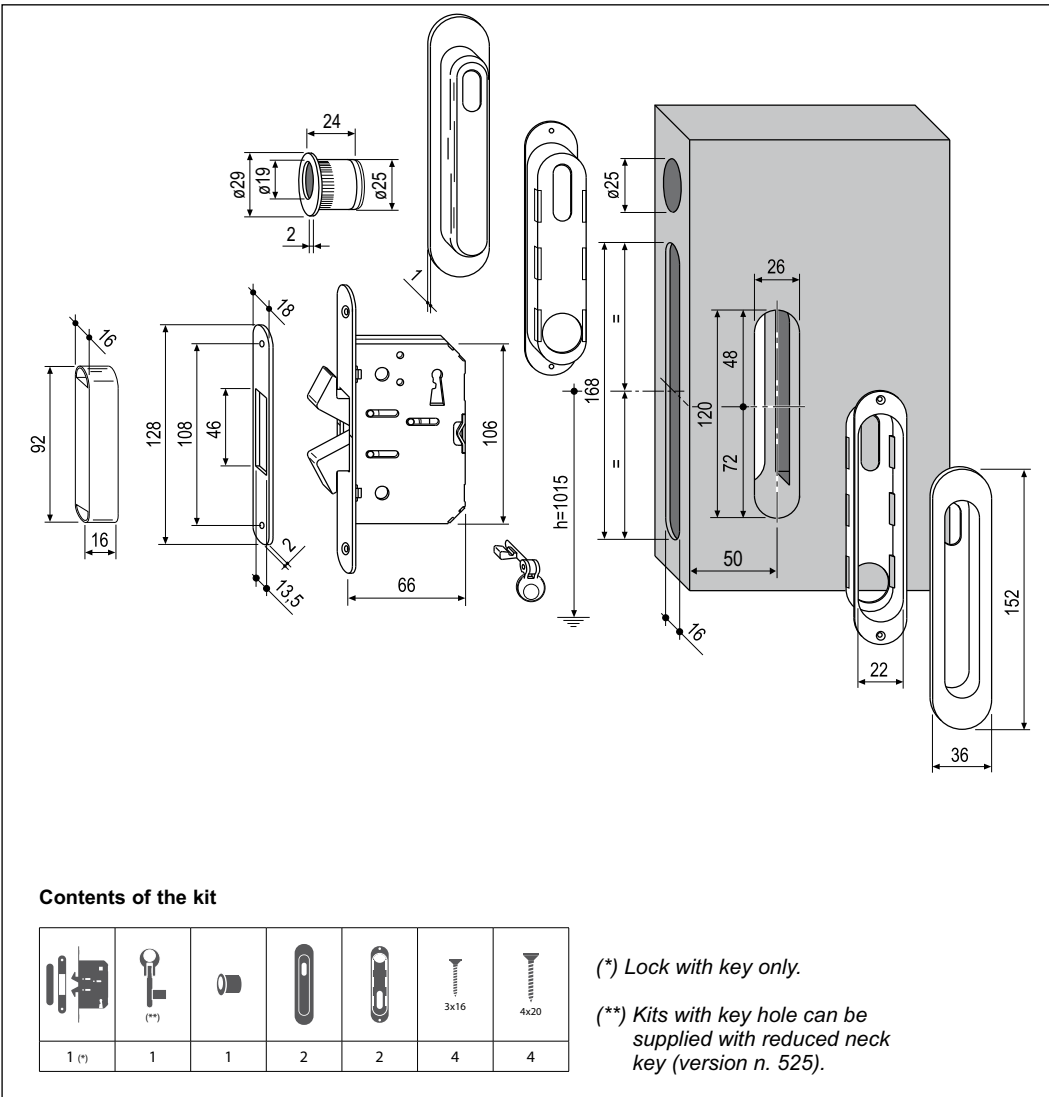


PLATE ASSEMBLY

- 1) Drill the panel
- 2) Insert the striker plates in the holes and fasten them with the screws
- 3) Snap the plates onto the striker plates

Note. Fasten the striker plates to the panel before snapping on the plates.

Contents of the kit

1 (*)	1	1	2	2	4	4

(*) Lock with key only.
 (**) Kits with key hole can be supplied with reduced neck key (version n. 525).

Order Specifications

	Article	
	B02928.50.XX	1

Note. Refer to the price list in force to check the availability of the finishes.