

Scivola TT oval - Kit D - pendant/pendant, with key, 38-47 mm door thickness



Description

Lock kit with opposing hooks and two brass flush plates with thumb turn and keyhole. Articulated folding key. All the elements have been designed to eliminate any superfluous projections.

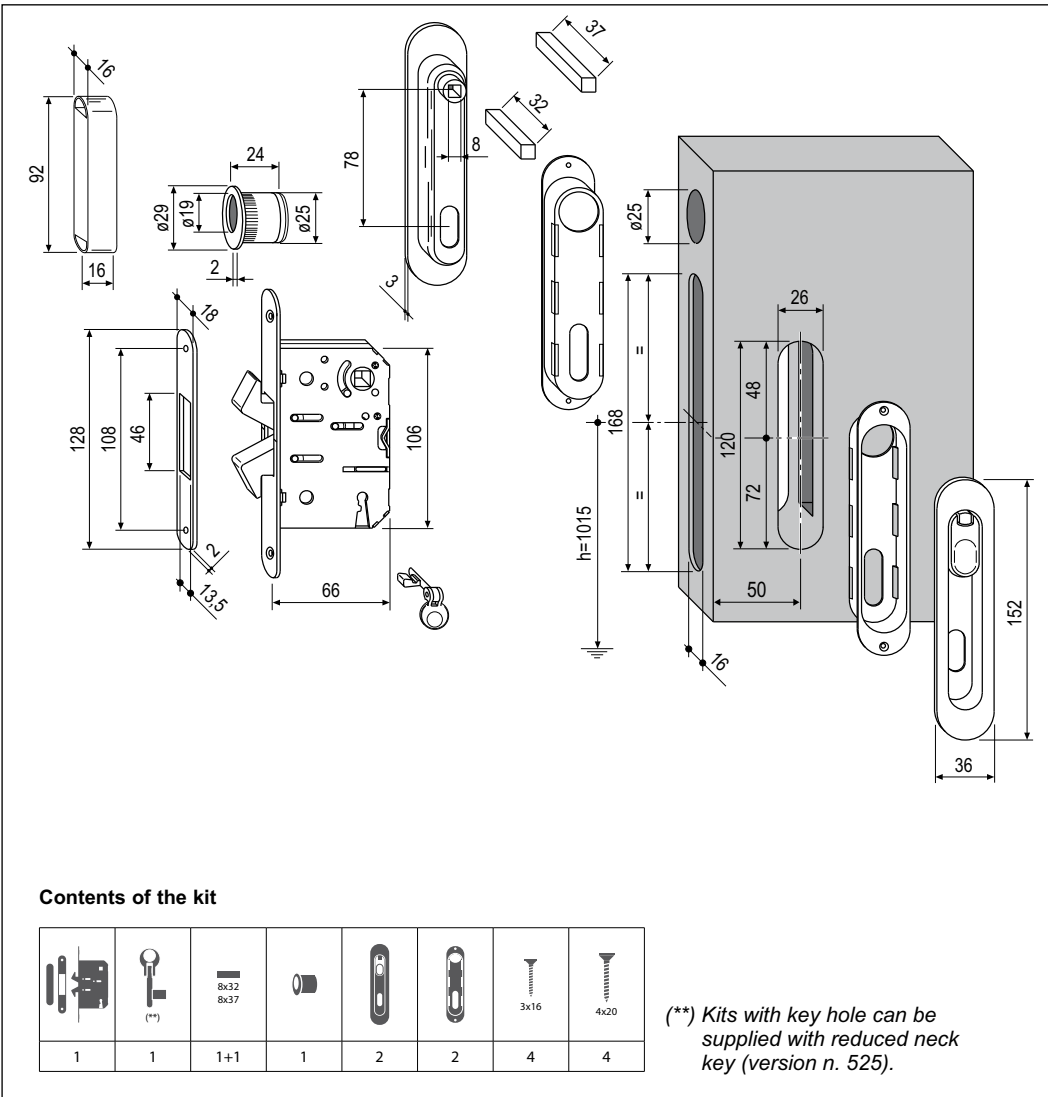
Use

For concealed, sliding timber doors on rooms where the door is closed and locked with a key from both sides. Suitable for panels with a thickness of 38 to 47 mm.

Fastening

The plates are not secured by visible screws but snap onto striker plates. Follow the assembly instructions provided with the kit.

Note. All the kit components come in a single package.



STRIKER PLATE ASSEMBLY AND DIMENSIONS

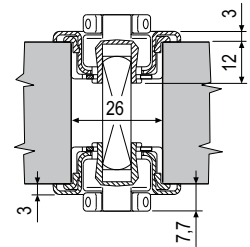


PLATE ASSEMBLY

- 1) Drill the panel
- 2) Insert the striker plates in the holes and fasten them with the screws
- 3) Snap the plates onto the striker plates

Note. Fasten the striker plates to the panel before snapping on the plates.

Order Specifications

	Article	
	B02925.50.XX	1

Note. Refer to the price list in force to check the availability of the finishes.