

Scivola T round - Kit M - key only 38-48 mm door thickness



Description

Lock kit without hub, with hook actuated by an articulated key that folds into the recess of two steel pulls. All the elements have been designed to eliminate any superfluous projections.

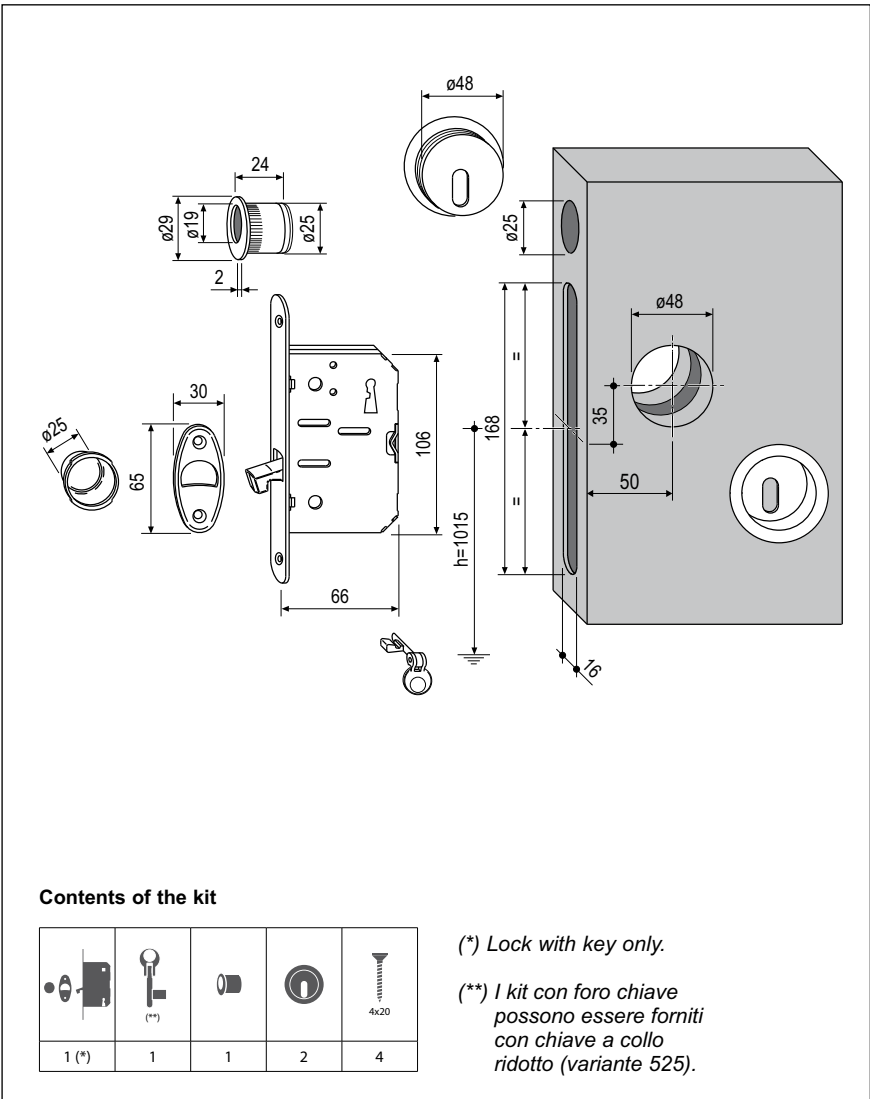
Use

For concealed sliding or folding timber doors with a thickness of 38 to 48 mm, on rooms where the door is closed and locked from both sides.

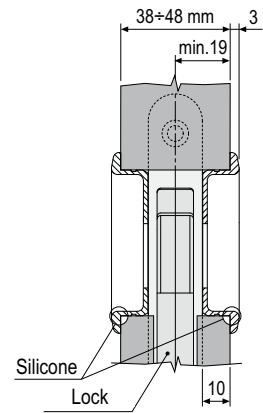
Fastening

The pulls are secured by embedding, aided by silicone. Follow the assembly instructions provided with the kit. Milling cutters art. Z00005.48.01- 48 mm diameter, are available for milling the pull recesses.

Note. All the kit components come in a single package.



HANDLES ASSEMBLY



Order Specifications

	Article	
	B03941.50.XX	1

Note. Refer to the price list in force to check the availability of the finishes.