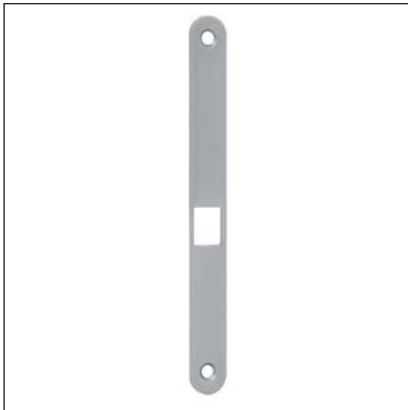


Scivola T - 16x168 mm forend, for inactive sash



Description

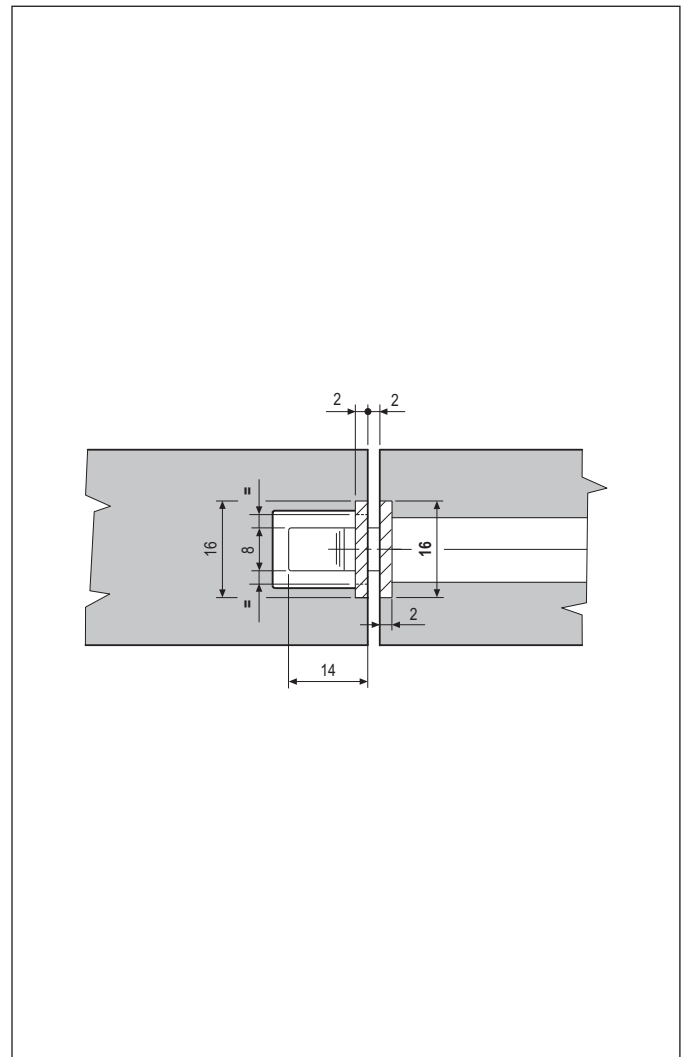
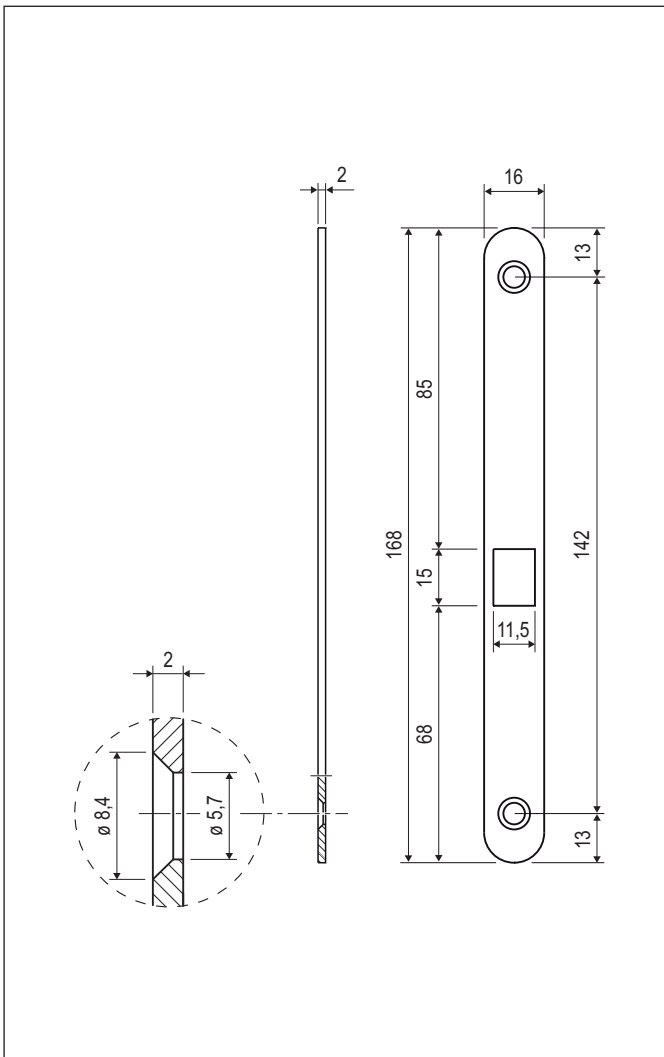
Steel striker with round ends, with locating notches for easy assembly, to be used in combination with Scivola T locks.

Application

To be used on double sash sliding doors with panels prepared with cutouts for the lock. The striker covers the milling and at the same time allows the hooks to align and fasten the sashes. This striker can not be coupled to the plastic pocket.

Mounting

Prepare a cutout and mill the panel according to the dimensions shown in the diagram and fasten the striker with two 4x25 mm screws.



Order Specifications

Material	Article	
STEEL	B00700.34.XX	

NB. Refer to the price list in force to check the availability of the finishes.