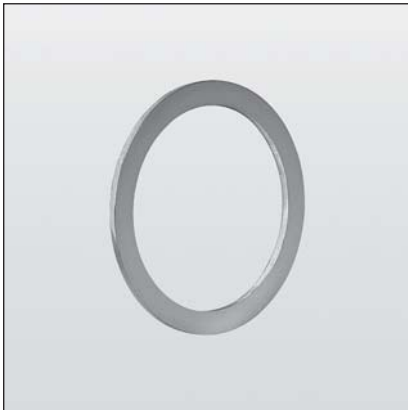


SCIVOLA ring for 34-38 mm application fields



Description

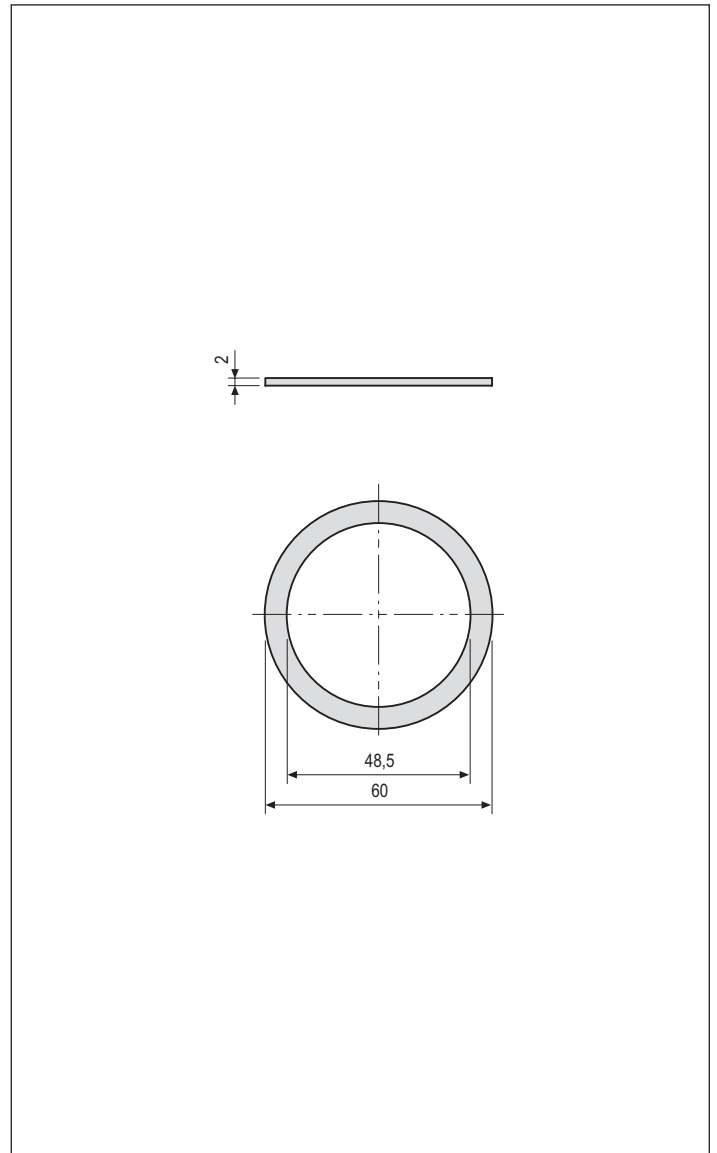
Adapting ring for Scivola handles on flush pulls with expansion squared spindle.

Application

By using a ring on both sides of the door it is possible to use the Scivola handles with up to 34 mm door thicknesses.

Mounting

Insert the ring between the pull and the door panel.



Order Specifications

Material	SALES CODE		
	Ref.	Backset	Finish code
STEEL	B00700	30	XX

NB. Refer to the price list in force to check the availability of the finishes.