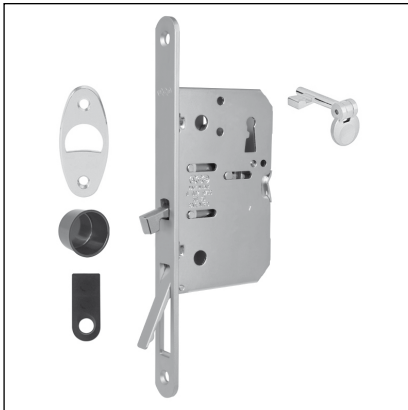


Scivola T 196 Class - key only

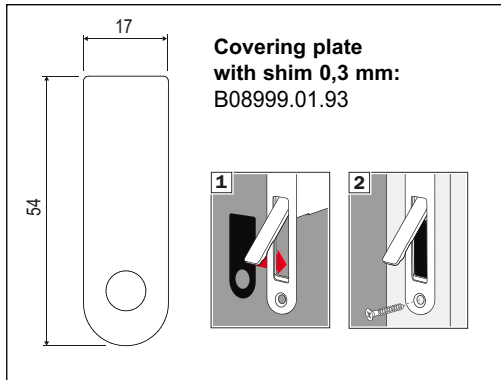
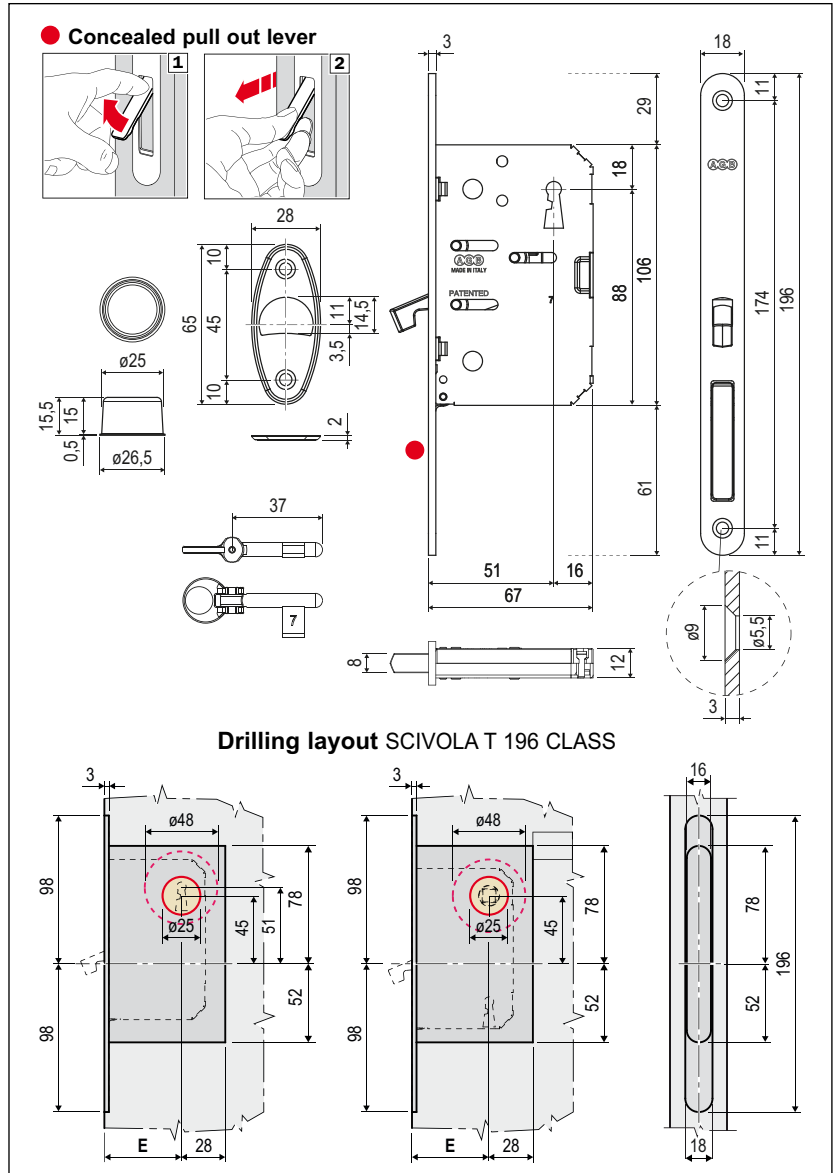


Use

The hub of the handle operates the hook which can be locked by the key.
 To make the sash sliding, use the pull out lever placed in the lock forend.
 The ergonomic grip allows to overpass the resistance of the systems regarding the brake of sliding doors.

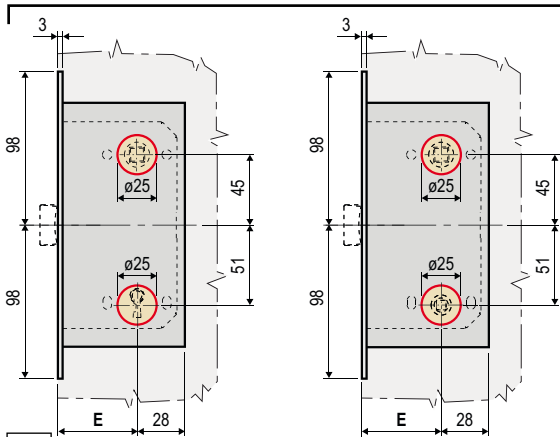
Fastening

Fasten the lock and striker with four 4x20 mm screws.

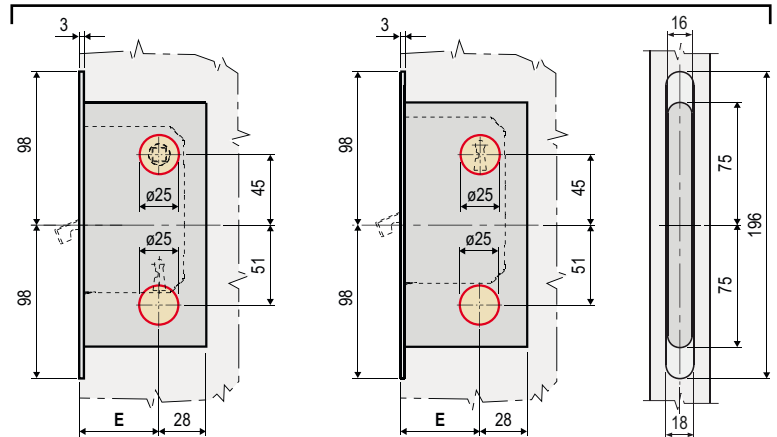


Unique drilling layout

MEDIANA EVOLUTION FOR KIT VENTIS



SCIVOLA T 196 CLASS FOR KIT VENTIS



Order Specifications

Material	Article	
STEEL	B08962.50.XX	1

Note. Refer to the price list in force to check the availability of the finishes.