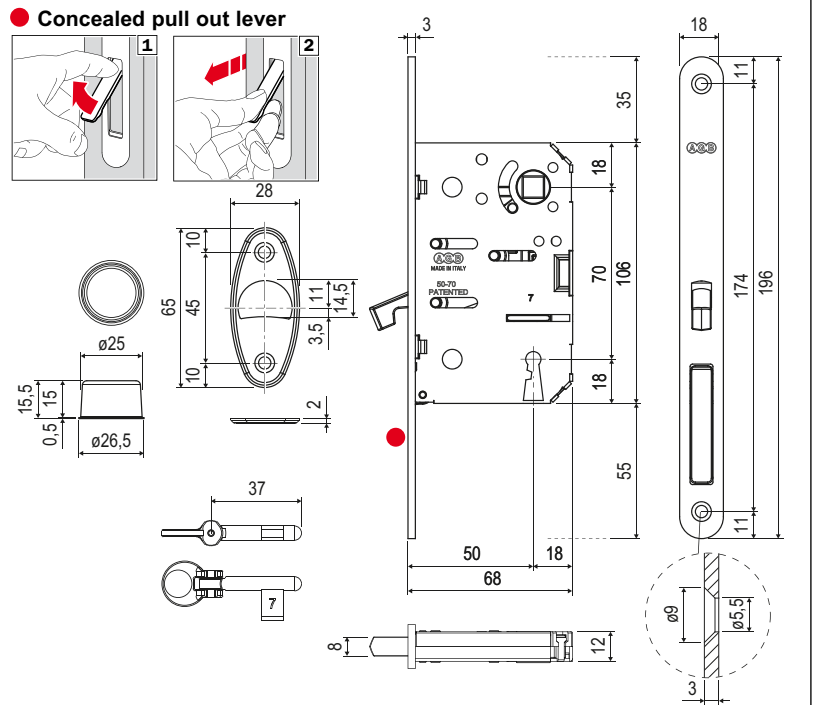
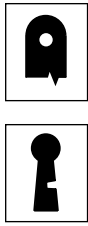
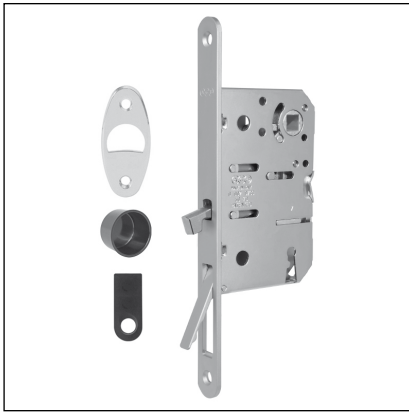


Scivola T 196 Class - hub and key



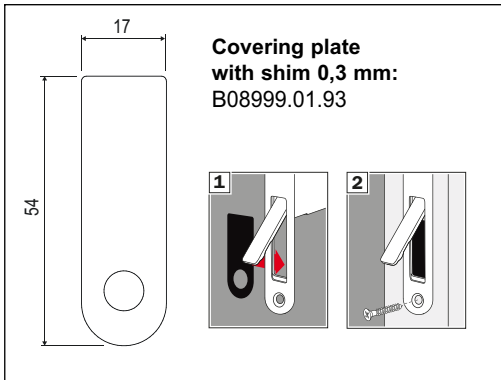
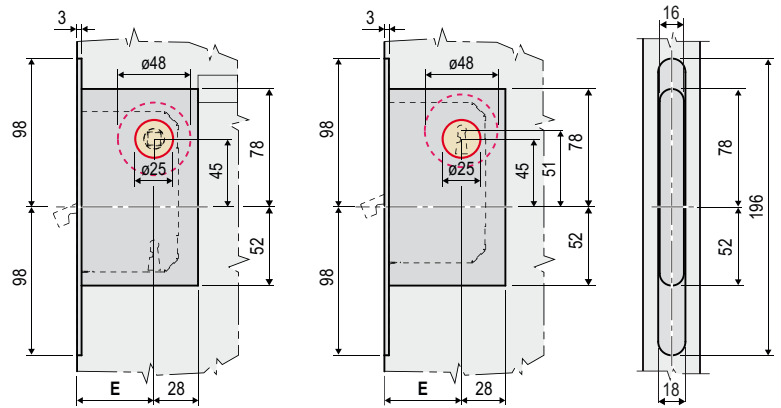
Use

The hub of the handle operates the hook which can be locked by the key.
 To make the sash sliding, use the pull out lever placed in the lock forend.
 The ergonomic grip allows to overpass the resistance of the systems regarding the brake of sliding doors.

Fastening

Fasten the lock and striker with four 4x20 mm screws.

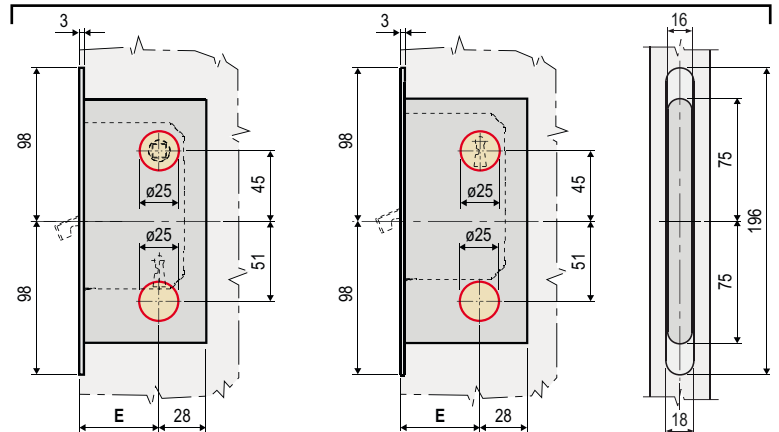
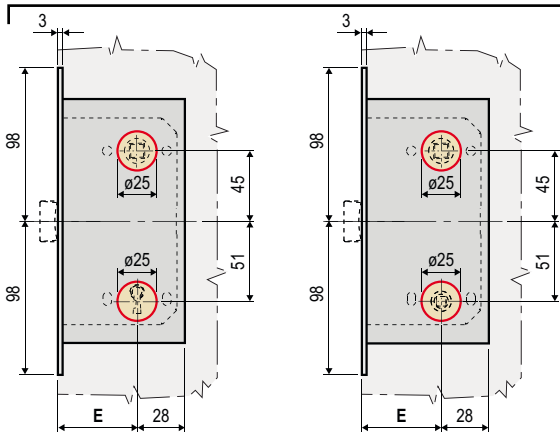
Drilling layout SCIVOLA T 196 CLASS



Unique drilling layout

MEDIANA EVOLUTION FOR KIT VENTIS

SCIVOLA T 196 CLASS FOR KIT VENTIS



Order Specifications

Material	Article	
STEEL	B08961.50.XX	

Note. Refer to the price list in force to check the availability of the finishes.