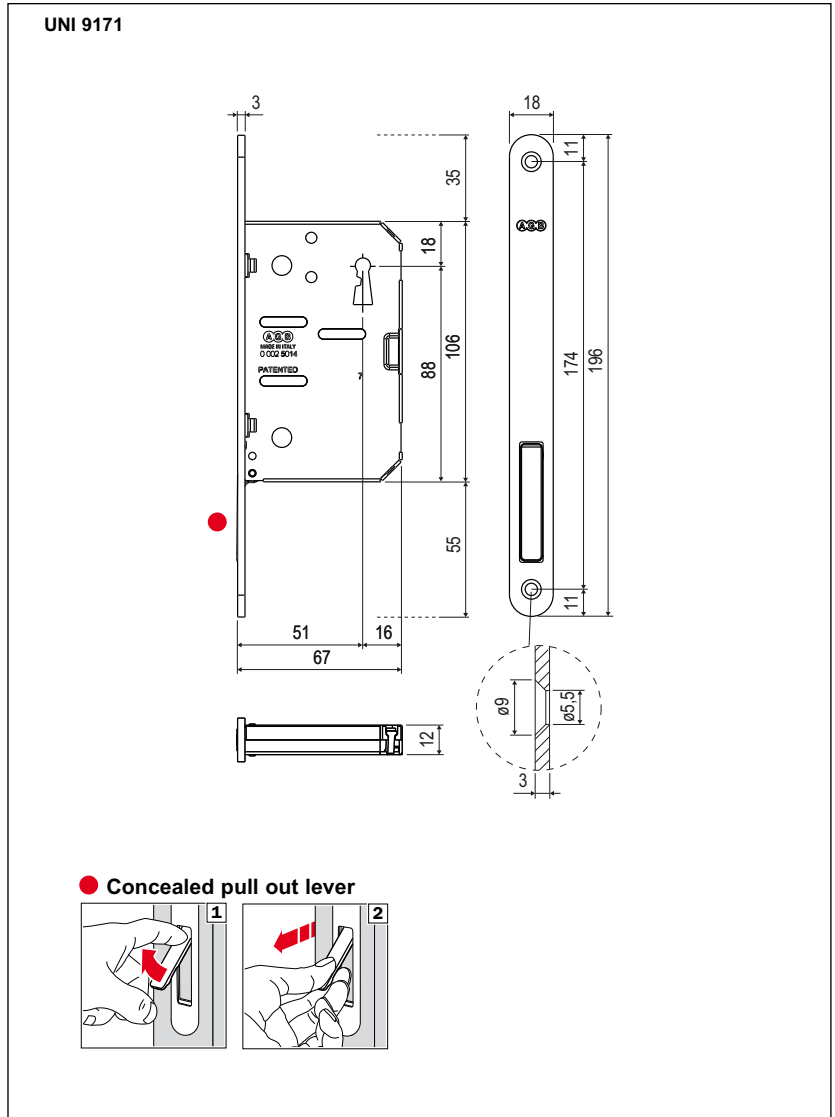
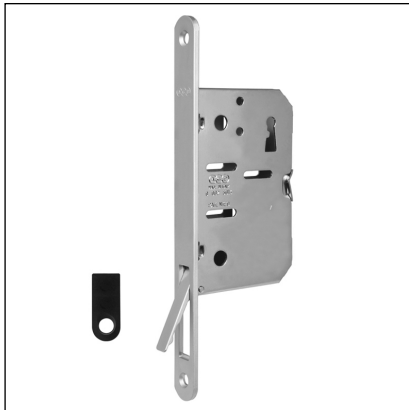


Scivola T 196 Class - blind covering plate

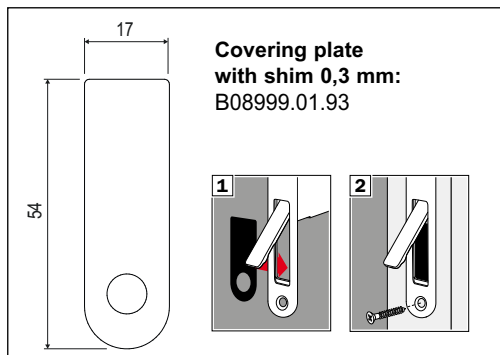


Use

To make the sash sliding, use the pull out lever placed in the lock forend. The ergonomic grip allows to overpass the resistance of the systems regarding the brake of sliding doors.

Fastening

Fasten the lock and striker with four 4x20 mm screws.



Order Specifications

| Material | Article | |
|----------|--------------|---|
| STEEL | B08969.00.XX | 1 |

Note. Refer to the price list in force to check the availability of the finishes.