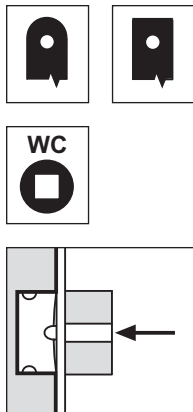


# Round/square ends with bathroom lock, 70 mm centre, 20 mm forend



### Description

Embedded lock with spring latch and bolt. 70 mm centre. 20 mm forend with round or square ends. Has hub for 6 mm doorknob and a single 50 mm backset. Made entirely of steel or with brass forend, spring latch and bolt. Reversible spring latch. Case with holes for handle installation using through screws.

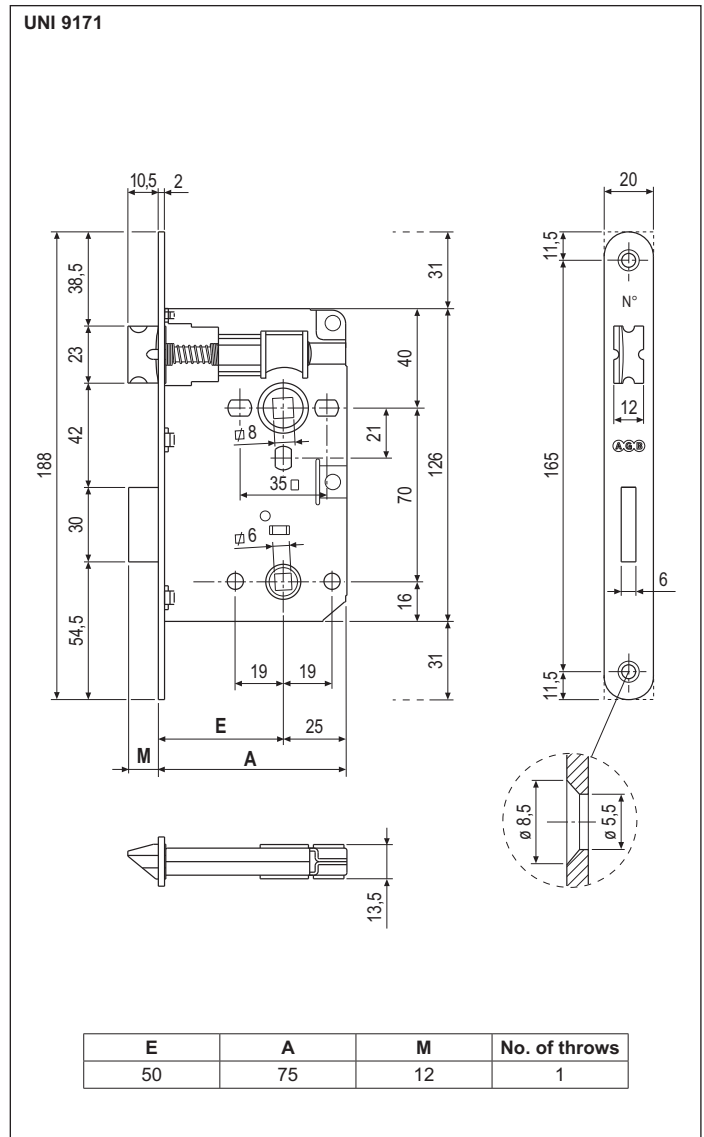
### Application

For wooden bathroom doors.

### Mounting

Prepare cutout and mill the panel according to the dimensions shown in the diagram. Secure the lock with two 4x25 mm screws. To reverse the spring latch, push it out of the forend by pushing with a screwdriver against the screw on the back, then rotate it.

**NB.** Special packagings with only one key differ inside are available on request for industrial applications. The striker, selected according to the construction type, must be ordered separately.



### Order Specifications

Material	SALES CODE			
	Ref.	Backset	Finish code	
STEEL	B00579	50	XX	6 mm
BRASS	B00581	50	XX	6 mm

### Order Specifications

Material	SALES CODE			
	Ref.	Backset	Finish code	
STEEL	B00580	50	XX	6 mm
BRASS	B00582	50	XX	6 mm

**NB.** Refer to the price list in force to check the availability of the finishes.