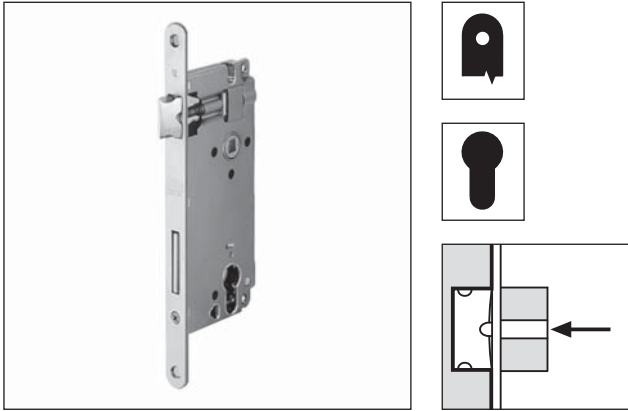


# Mod. 3590 round ends with cylinder lock (key-retractable latch), 90 mm centre, 22 mm forend



**Description**

Embedded lock with spring latch and bolt. 90 mm centre. 22 mm forend with round ends. Mortice version with european cylinder profile, 40 and 50 mm backseat. Steel forend and lockcase. Reversible spring latch moved by handle and cylinder. Case with holes for handle installation using through screws.

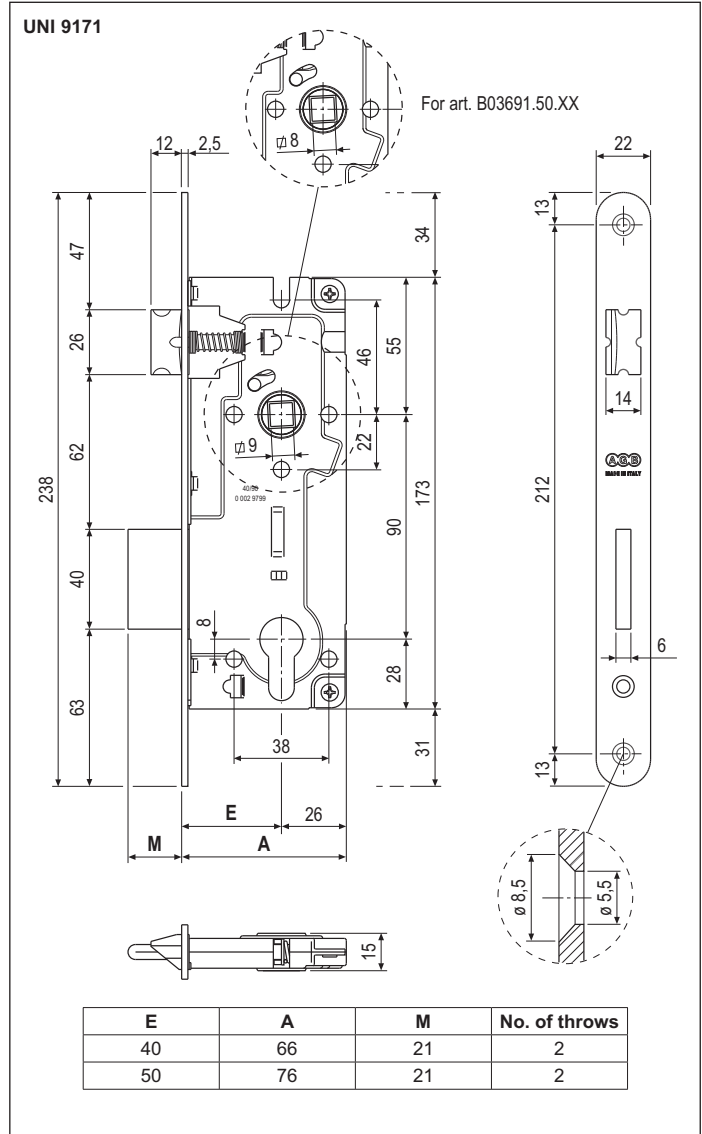
**Application**

For interior timber doors. Specially suitable for doors with narrow stiles.

**Mounting**

Prepare cutout and mill the panel according to the dimensions shown in the diagram. Secure the lock with two 4,5x25 mm screws. To reverse the spring latch, push it out of the forend by pushing with a screwdriver against the screw on the back, then rotate it.

**NB.** The striker, selected according to the construction type, must be ordered separately.



**Order Specifications - 9 mm hub**

Material	SALES CODE		
	Ref.	Backset	Finish
STEEL	B03591	40-50	XX

**Order Specifications - 8 mm hub**

Material	SALES CODE		
	Ref.	Backset	Finish
STEEL	B03691	50	XX

**NB.** Refer to the price list in force to check the availability of the finishes.