

Opera iControl - Occupancy indicator for bolt



Description

Occupancy indicator to control the status of the bolt in real time. The device gives a contact with two positions. When the door is open and the bolt is retracted, the occupancy indicator is in break; on the other hand, when the door is closed and the bolt is out, the lever of the microswitch changes position and the contacts invert their status (see the electric layout for further details).

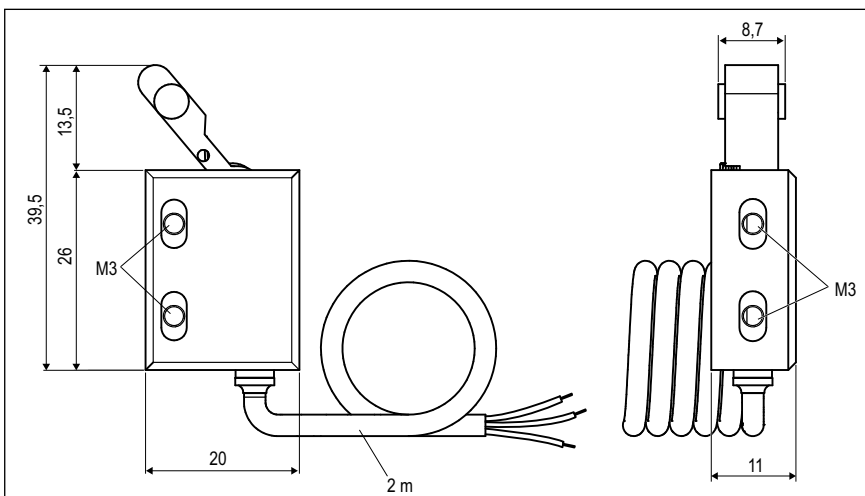
Installation

The occupancy indicator is embedded in the suitable seat, on the back of the counterplate, as indicated in the picture below.

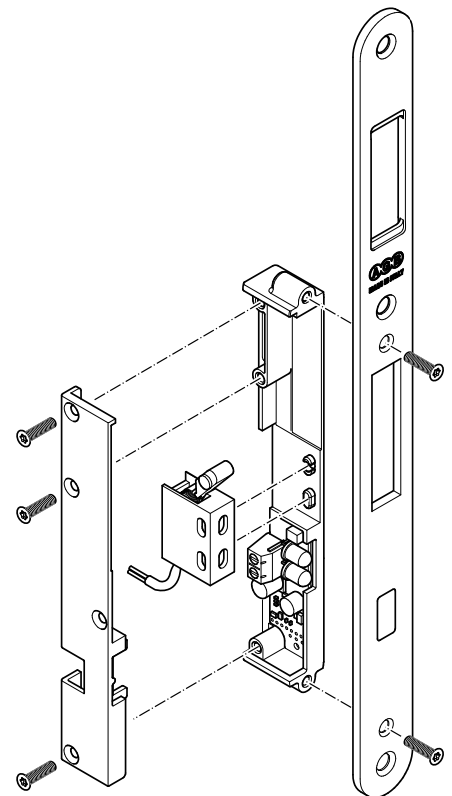
Note. The installation has to be done by qualified personnel.

Electric features with occupancy indicator

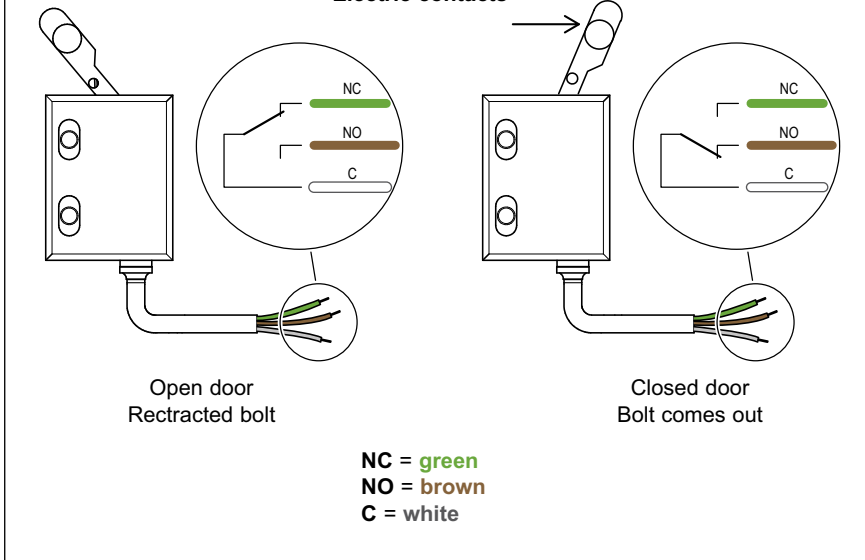
Power supply	MAX 30 V DC
Absorption	MAX 0,2 A
Power	MAX 3 W



Occupancy indicator installation



Electric contacts



Order specifications

Article

B61000.07.93