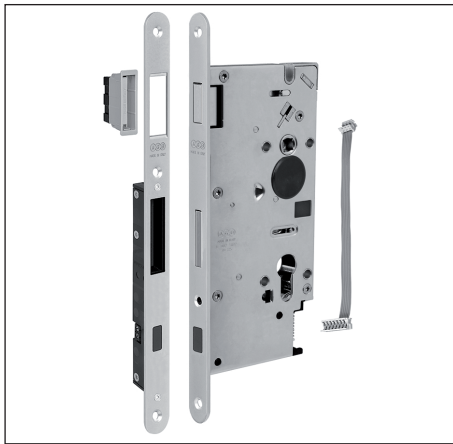


Opera iControl - Lock kit - 18 mm forend



Description

Electronic embedded lock with magnetic movement. To be used with double sided handle, fastened with through screws and grip integral with the rosette.

Antipanic function inside the room.

On the external side, the handle can be unlocked by sending a 9+24 V electric impulse in DC/AC on the frame striker.

Opera iControl lock is compatible with all access control systems and room management systems (RMS).

The order of opening goes from frame part to sash part by an IR transmission.

Available in two versions:

- Version with occupancy indicator: it allows to know the state of the door in real time;

- Version without occupancy indicator: it doesn't include the device, but it can be later upgraded with one indicator (code B61000.07.00), sold separately.

The bolt is automatic and made of sintered steel: when the magnetic latch comes out, the locking system acts accordingly.

The frame striker is adjustable at $\pm 1,5$ mm to guarantee optimal door closing.

In case of power supply blackout, the lock can be manually opened by operating a mechanical cylinder.

85 mm centre, 18 mm forend with rounded edge, 70 mm backset.

Holes for handle fastening with through screw.

Included accessories in the kit:

- adjustable counterplate;
- adjustable magnetic cover-tray;
- connection cable for battery holder (already placed);
- fastening screws.

Accessories NOT included in the kit:

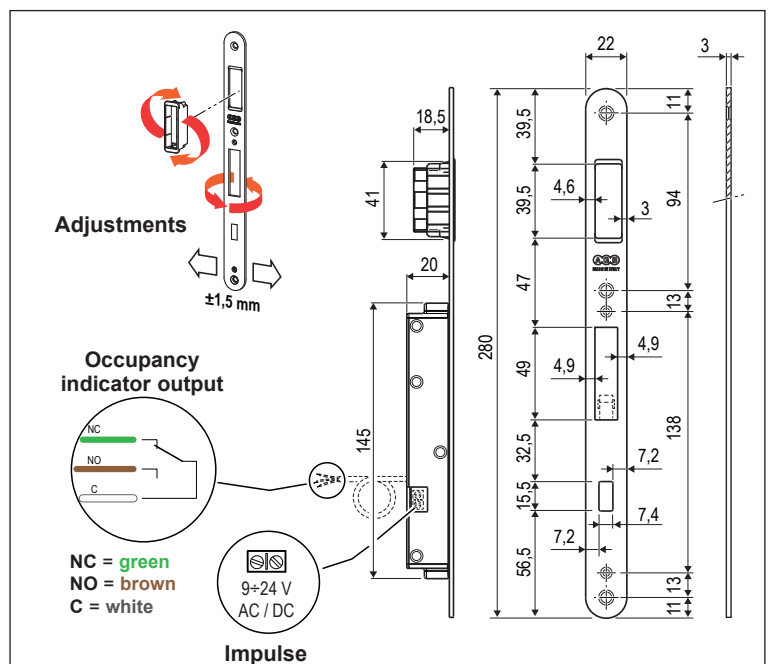
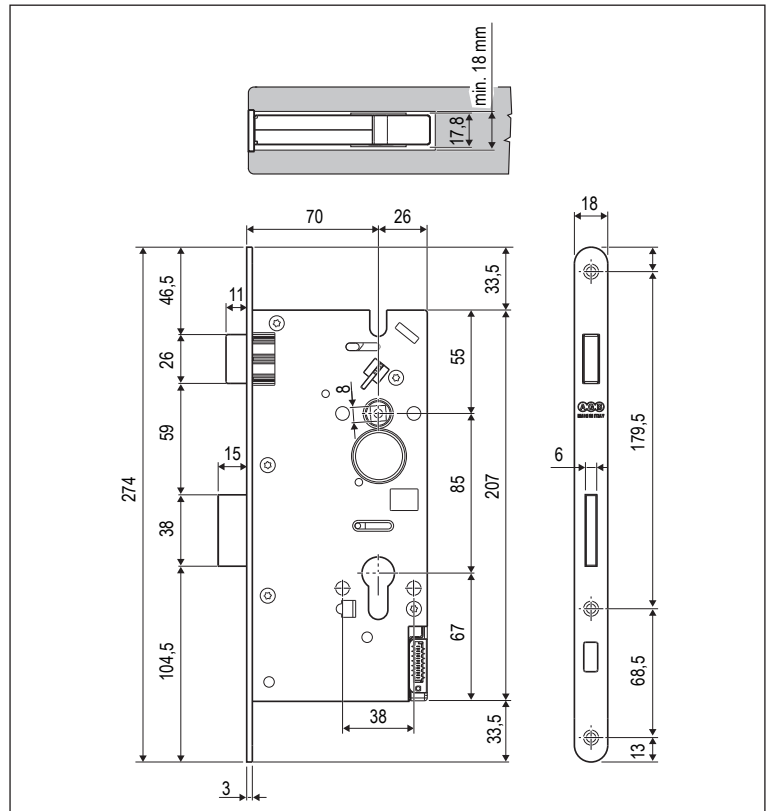
- AGB half cylinder, see the "Cylinder choice";
- 8 mm split-spindle, B59901.XX.XX

Coupling with lock

1. Connect the striker to the access control system with the power supply with tensions ranging from 9 and 24 V, AC/DC.
2. Keeping the button on the battery holder pressed, insert three batteries 1,5 V AA (LR6), the led will flash 10 times. This procedure will pre-set the lock in self-programming mode to match with the striker.
3. The lock stays in auto-learning mode until it will receive an impulse from the access control system.

Use

Suitable for use of fire resistant doors in wood, particularly hotel doors. Suitable for use on flush doors or doors with rebate. Handle use is necessary on both sides of the door.



Maintenance

Battery status can be revealed by pressing the button on the battery holder:

- **1 red flash** = charged batteries;
- **3 red flashes** = battery level lower than 10% (change batteries);
- no flashes = low batteries or out of order in the lock electronics.

Installation

Fasten the lock with the provided plate and screws.

Note. The installation should be done by qualified personnel.

The drilling diagram is available in the online assembly instructions.

Opera iControl - Lock kit - 18 mm forend

Cylinder choice

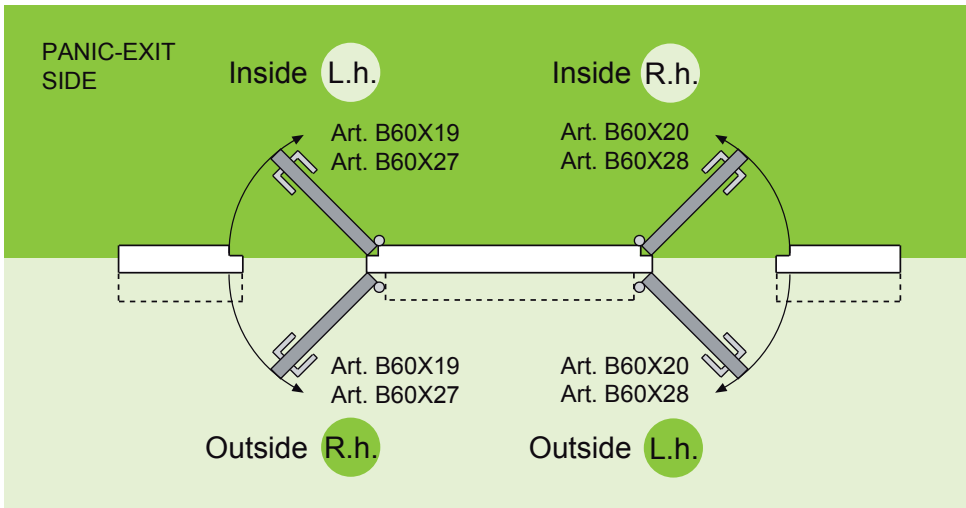
XX = A+L-5	Cylinder flush to the bushing
XX = A+L-1	Cylinder + 4 mm distance from the bushing
XX max. = A+0,5	Cylinder with AGB blind rosette

Note. To order the half cylinder, please check AGB Price List.

Application fields

	min.	max.
X	16 mm	55 mm
Y	16 mm	55 mm

X+Y = 100 mm max.



Electric features

Power supply	Batteries: 3 1.5 V AA (LR6)
	Electric network: 9-24 V DC - AC
Absorption (electric network)	DC = 50 mA (12V) - DC = 20 mA (24V) AC = 10 mA (12V) - AC = 5 mA (24V)
Working temperature	-10°C +55°C
Frame part consumption	120 mW
Timing	0,5 s. min., 5 s. max.

Electric features with occupancy indicator

Power supply	MAX 30 V DC
Absorption	MAX 0,2 A
Power	MAX 3 W

Order specifications about Opera iControl without occupancy indicator

Material	SALES CODE			Type
	Ref.	Backset	Finish	
STEEL	B60119	70	XX	Inside lh / Outside rh
	B60120	70	XX	Inside rh / Outside lh

Order specifications about Opera iControl with occupancy indicator

Material	SALES CODE			Type
	Ref.	Backset	Finish	
STEEL	B60127	70	XX	Inside lh / Outside rh
	B60128	70	XX	Inside rh / Outside lh