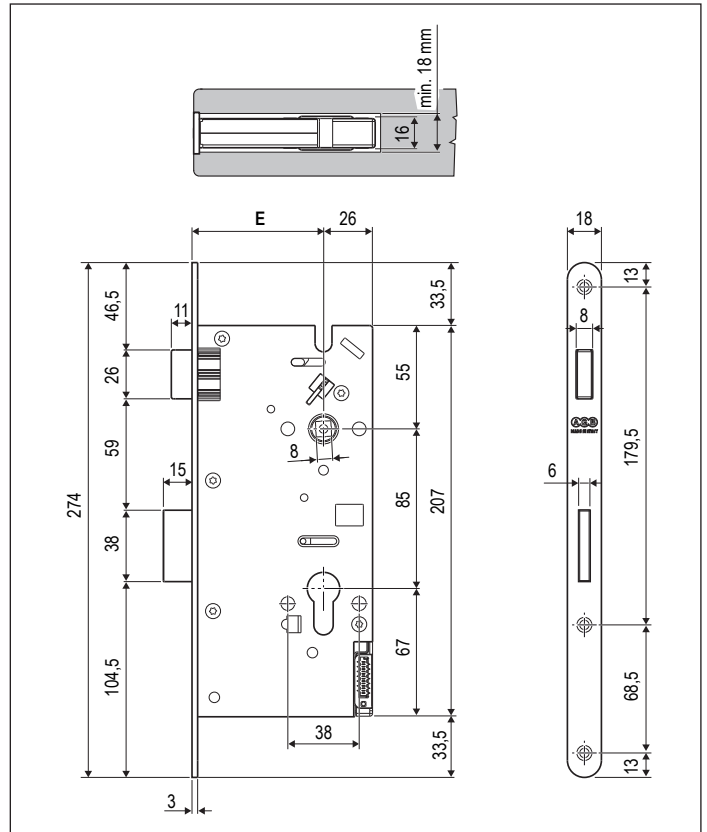


# Opera Bit - Electronic lock kit for hotels with magnetic latch, automatic, antipanic - 18 mm forend



### Description

Electronic embedded lock with magnetic movement and latch in plastic material. To be used with double sided handle, fastened with through screws and grip integral with the rosette. Antipanic function on one side: turning the handle, the bolt and the latch go into the lock. In the external side the handle is normally blocked. The handle can be unlocked with an authorised card or the emergency cylinder. Automatic bolt in sintered steel: when the magnetic latch comes out, the bolt automatically comes out. 85 mm axis. 18 mm forend with round ends. 70 mm backset. Holes for handle fastening with through screws.

### Accessories, included in kit

- Adjustable non-handed plate
- Adjustable magnetic cover-tray
- Cover-tray of the bolt hole
- Cable for reader and battery holder (already placed)
- Fastening screws

### Accessories, NOT included in kit

AGB half cylinder, ex. CAAG01.05.XX  
Split-spindle, 8 mm diameter, B59901.XX.XX.

### Use

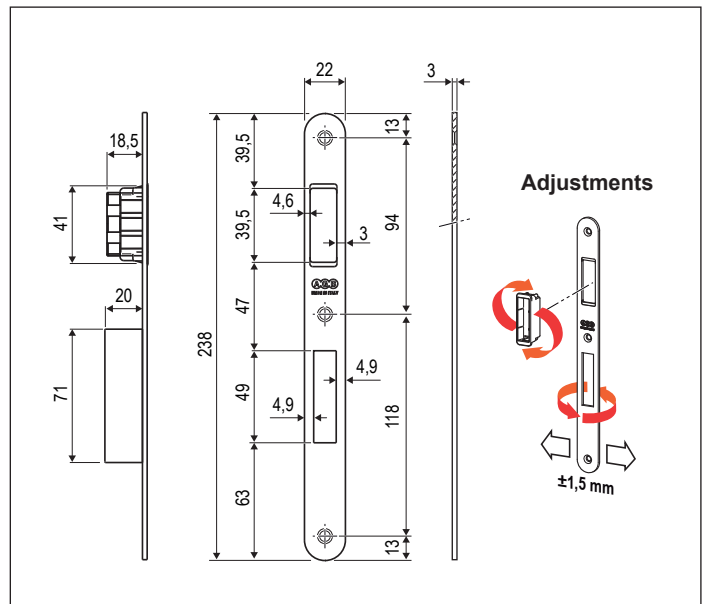
Suitable for fire doors in wood. Particularly suitable for hotel and community doors. Suitable kit for rebated and flush doors. It is necessary to use the handle in both sides of the door.

### Fastening

Fix the lock and the plate with the provided screws.

**Note.** The installation should be done by qualified personnel.

**The drilling diagram is available in the online assembly instructions.**



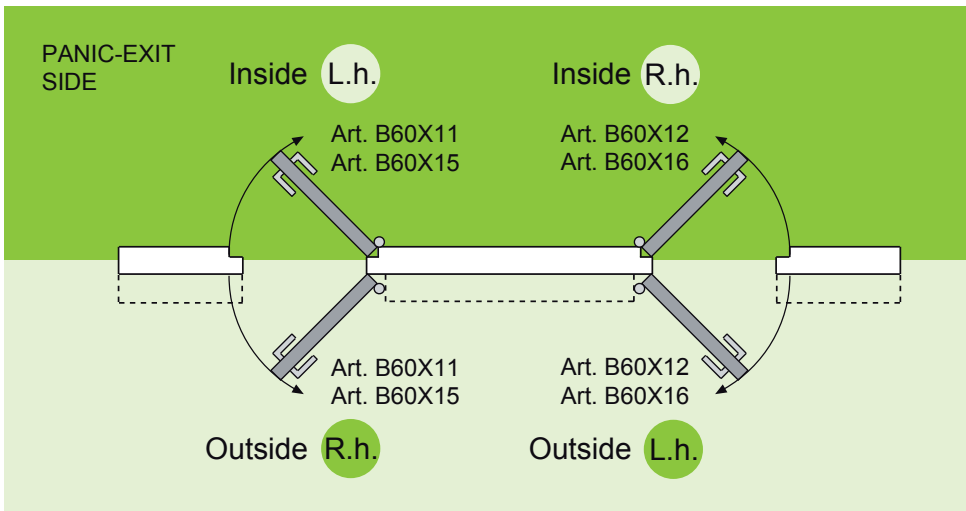
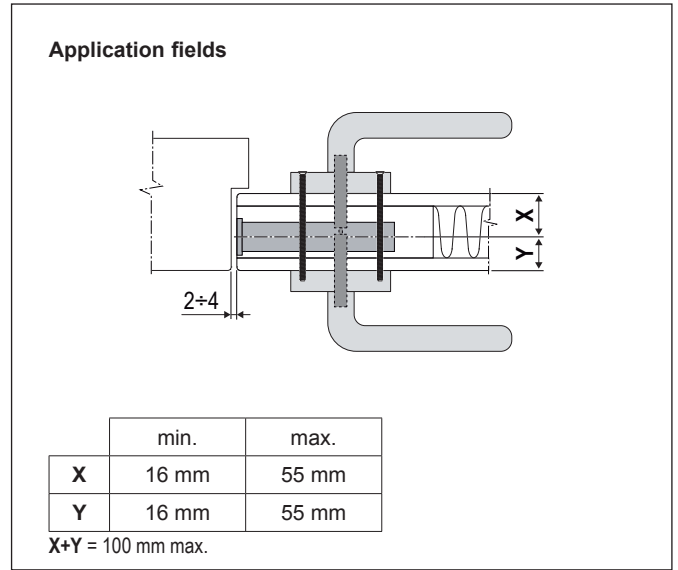
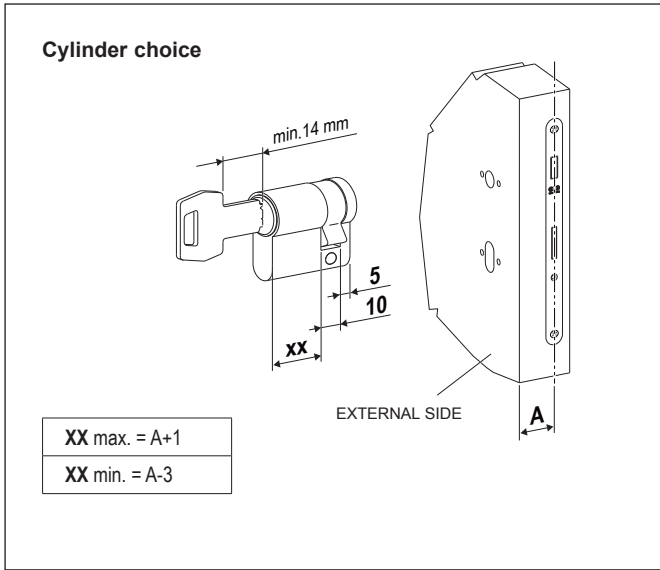
Warning of low batteries

GUEST	Access	LED signal
	✓	
	✓	
	✗	
	✗	None

OPERATOR	Access	LED signal
	✓	
	✓	
	✓	
	✗	None

**Note:** With dead batteries, to open the door from the hallway side, it is necessary to use the emergency cylinder.

# Opera Bit - Electronic lock kit for hotels with magnetic latch, automatic, antipanic - 18 mm forend



**Order specifications**

Material	SALES CODE			Type
	Ref.	Backset	Finish	
STEEL	B60111	70	XX	Inside lh / Outside rh
	B60112	70	XX	Inside rh / Outside lh

**Order specifications - Sprint version**

Material	SALES CODE			Type
	Ref.	Backset	Finish	
STEEL	B60115	70	XX	Inside lh / Outside rh
	B60116	70	XX	Inside rh / Outside lh

**Note.** Refer to the price list in force to check the availability of the finishes.