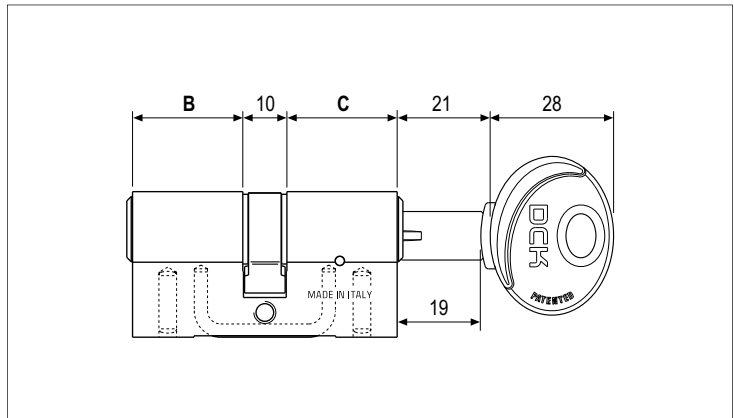
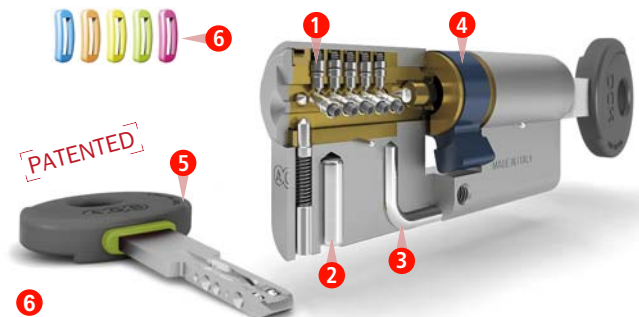


## Mod. Scudo DCK, key - key



### Characteristics

- Matt nickel plated brass cylinder.
- Designed on the basis of the sixth intrinsic security class according with the regulation EN 1303.
- Key duplication controlled by the manufacturer and protected by PIN code.
- 3 different PIN codes for each cylinder.
- 15 radial and asymmetric pins made of hardened stainless steel and fixed pins for the differ. **1**
- 1 hardened steel anti-drill pin. **2**
- Stainless steel anti-burglar insert in the cylinder body. **3**
- Anti-pull cam in sintered steel (23° inclination). **4**
- 5 high resistance nickel silver flat keys with micro rollers patented by AGB. **5**
- Customisable key with inserts of different colours (to be ordered separately).
- Nickel plated fastening screw, M5x76 mm.
- Duplication manual.



### Cylinder classification



EN 1303:2015 - ICIM 0039CS							
1	6	0	B	0	C	6	D

ANTI-PICKING: Pass  
ANTI-BUMPING: Level 2

**Note.** The product certifications ICIM are available at the website [www.agb.it](http://www.agb.it)

**Note.** For further information, see the introduction called "Comparative table of cylinders according with the regulations EN 1303 and EN 1627" in the cylinders technical catalogue.

### Cylinder choice guide

Antiburglar	Shield	Shield	Shield	Shield	Shield	Shield
Systems	Key	Key	Key	Key	Key	Key
Durability	Hourglass	Hourglass	Hourglass	Hourglass	Hourglass	Hourglass
Finish	Key	Key	Key	Key	Key	Key

**Note.** For further information, see the introduction called "Cylinder choice guide" in the cylinders technical catalogue.

### Matt nickel plated brass - key - key

Article	Pins	B	C
C10016.XX.XX	15	XX	XX

### Matt nickel plated brass - key - key double function

Article	Pins	B	C
C20016.XX.XX	15	XX	XX

- Note.**
- "Double function" version allows to operate the cylinder with the key even if another key is inserted in the other side.
  - Refer to the price list in force to check the availability of measures and special finishes on demand.