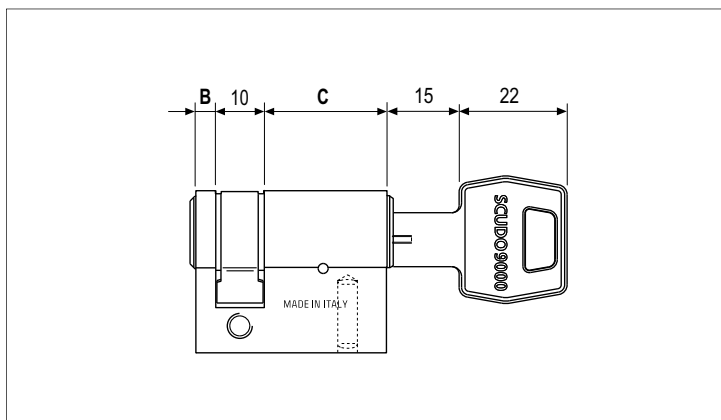
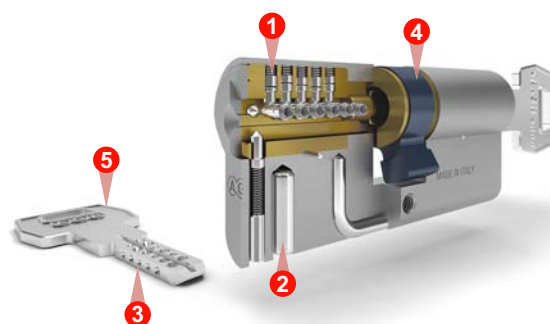


## Mod. Scudo 9000, half cylinders



### Characteristics

- Matt nickel plated brass half cylinder with flat reversible nickel silver key.
- Designed on the basis of the sixth intrinsic security class according with the regulation EN 1303.
- 17 active and passive pins made of hardened stainless steel. **1**
- 1 hardened steel anti-drill pin. **2**
- 5 keys and a duplication card. **3**
- Anti-pull cam in sintered steel (23° inclination). **4**
- Grip can be personalised with different coloured covers. **5**
- Nickel plated fastening screw, M5x76 mm.



**Note.** The image is indicative only.

### Cylinder classification



EN 1303:2015 - ICIM 0039CS								
1	6	0	B	0	C	6	D	

ANTI-PICKING: Pass

**Note.** The product certifications ICIM are available at the website [www.agb.it](http://www.agb.it)

**Note.** For further information, see the introduction called "Comparative table of cylinders according with the regulations EN 1303 and EN 1627" in the cylinders technical catalogue.

### Cylinder choice guide

Antiburglar	Shield	Shield	Shield	Shield	Shield	Shield
Systems	Key	Key	Key	Key	Key	Key
Durability	Hourglass	Hourglass	Hourglass	Hourglass	Hourglass	Hourglass
Finish	Brushed	Brushed	Brushed	Brushed	Brushed	Brushed

**Note.** For further information, see the introduction called "Cylinder choice guide" in the cylinders technical catalogue.

### Matt nickel plated brass

Article	Pins	B	C
C93016.05.XX	17	05	XX

**Note.** Refer to the price list in force to check the availability of measures and special finishes on demand.