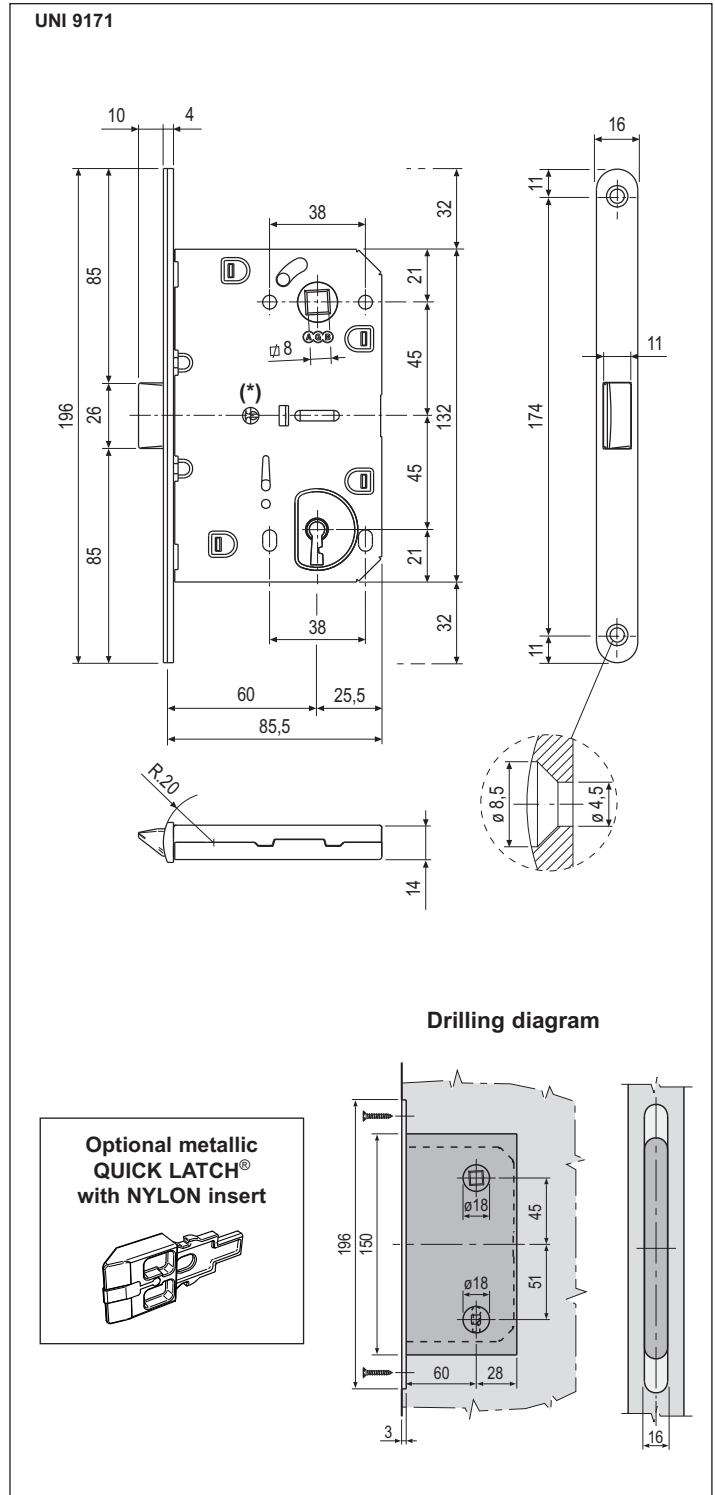
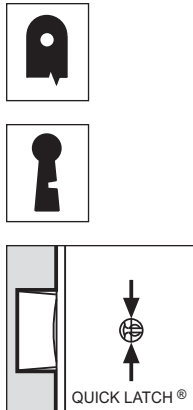


Mediana Evolution key lock - 90 mm centre, 16 mm forend, convex



Description

Embedded lock with central spring latch only made of polyamide, a particular non-deformable NYLON that allows maximum resistance against wear and noiselessness. Available on request the metallic QUICK LATCH® with NYLON insert to be ordered separately. The latch works as a bolt as well and maintain the special AGB auto adjusting latch shape in order to avoid any door rattling. The key locks the spring latch but allows free movement of handle to prevent accidental forcing of mechanism. Zamak forend, 16 mm large with rounded ends. Unique 60 mm backset, 90 mm centre with 6 different differs. The lock is compatible with dimensions of forend and case of traditional Mediana and permits to replace in the already made mills. Steel case with holes for handle fixing with through screws. Latch can be retracted also with key.

Application


For wooden interior doors with rounded ends and 20 mm radius. Thanks to the QUICK LATCH® patented hooking and reversible system, the installer can decide the hand of the door just before the installation: in order to change the door-hand, push a key or the tip of a screw driver inside the indicated hole (*). At the same time extract the latch, turn it of 180° and insert it in its hole again. The latch can be locked inside the lock case to make the packing and transporting of the doors easier, or inhibit the latch when door is mounted.

Mounting

Prepare cutout and mill the panel according to the dimensions shown in the diagram. Secure the lock with two 3,5x20 mm screws.

NB. Special packaging with only one key differ inside are available on request for industrial applications. The striker, selected according to the construction type, must be ordered separately.

Order Specifications

| Material | SALES CODE | | |  |
|----------|------------|---------|-------------|--|
| | Ref. | Backset | Finish code | |
| STEEL | B01301 | 60 | XX | 4 |

Order Specifications - Optional accessory to be ordered separately

| Article | Description |
|--------------|---------------------------|
| B01403.05.XX | Backset 50 metallic latch |
| B01403.06.XX | Backset 60 metallic latch |

NB. Refer to the price list in force to check the availability of the finishes.