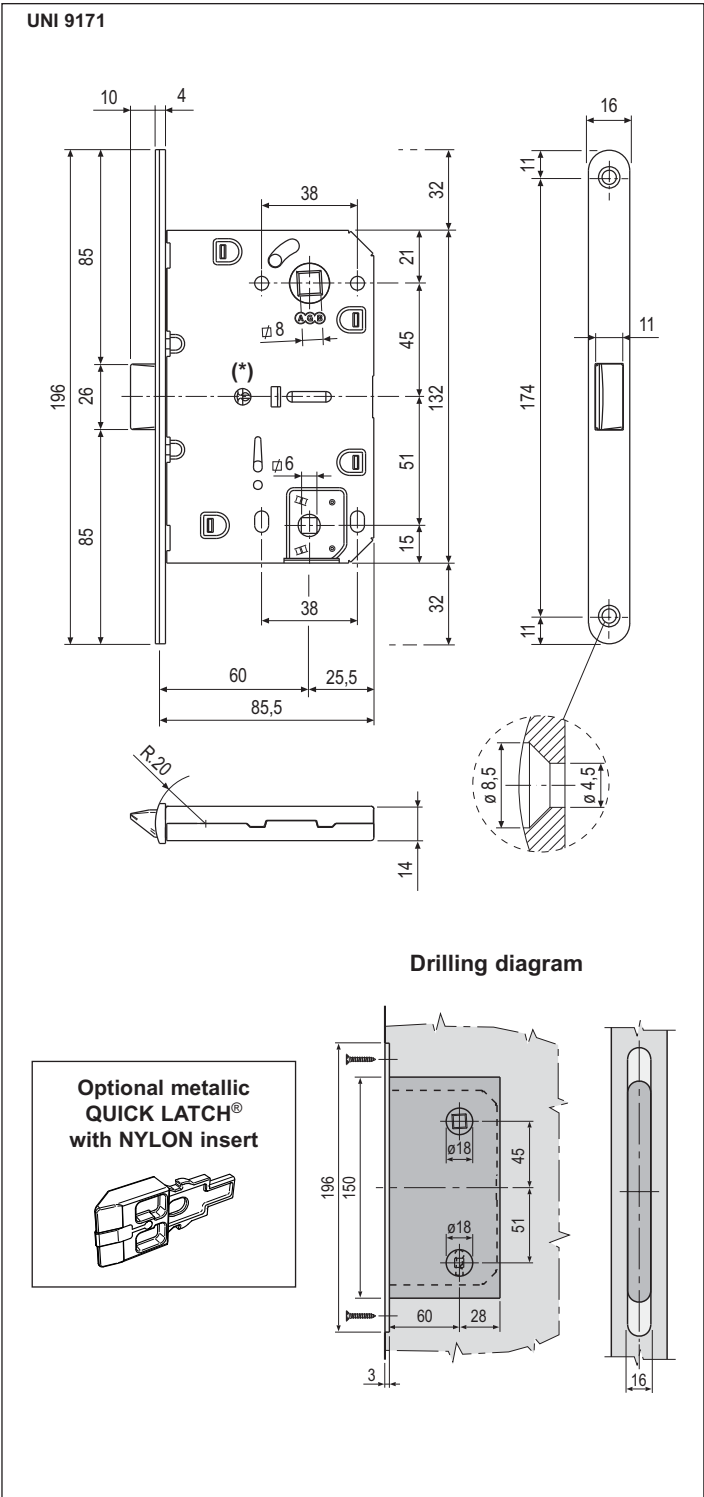
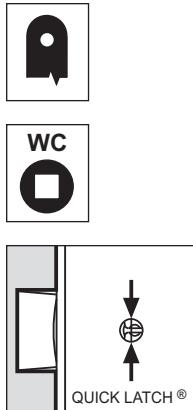


Mediana Evolution bathroom lock - 96 mm centre, 16 mm forend, convex



Description

Embedded lock with central spring latch only made of polyamide, a particular non-deformable NYLON that allows maximum resistance against wear and noiselessness. Available on request the metallic QUICK LATCH® with NYLON insert to be ordered separately. The latch works as a bolt as well and maintain the special AGB auto adjusting latch shape in order to avoid any door rattling. The key locks the spring latch but allows free movement of handle to prevent accidental forcing of mechanism. Zamak forend, 16 mm large with rounded ends. Unique 60 mm backset, 96 mm centre with follower-knob of 6 mm. Steel case with holes for fixing the handles with through screws.

Application

For wooden interior doors with rounded ends and 20 mm radius. Thanks to the QUICK LATCH® patented hooking and reversible system, the installer can decide the hand of the door just before the installation: in order to change the door-hand, push a key or the tip of a screw driver inside the indicated hole (*). At the same time extract the latch, turn it of 180° and insert it in its hole again. The latch can be locked inside the lock case to make the packing and transporting of the doors easier, or inhibit the latch when door is mounted.

Mounting

Prepare cutout and mill the panel according to the dimensions shown in the diagram. Secure the lock with two 3,5x20 mm screws.

NB. The striker, selected according to the construction type, must be ordered separately.

Order Specifications

Material	SALES CODE		
	Ref.	Backset	Finish code
STEEL	B01302	60	XX

Order Specifications - Optional accessory to be ordered separately

Article	Description
B01403.05.XX	Backset 50 metallic latch
B01403.06.XX	Backset 60 metallic latch

NB. Refer to the price list in force to check the availability of the finishes.