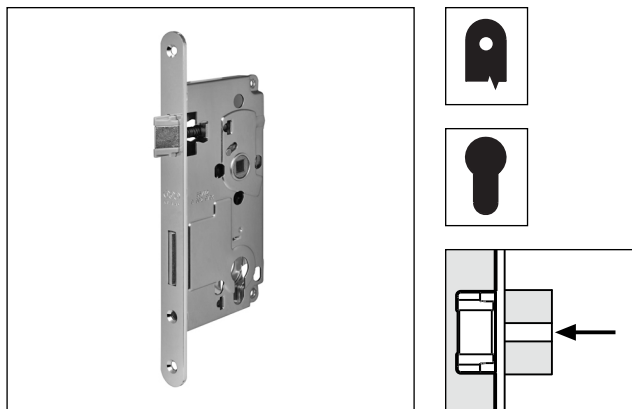


## Round ends with cylinder lock, 72 mm centre, 20 mm forend



### Description

Embedded lock with latch and bolt, to be used in combination with a DIN V 18254 profile cylinder. 72 mm centre. 20 mm forend with round ends and single 55 mm backset. Made entirely of steel with patented co-moulded self-lubricating latch and steel bolt. Reversible latch. Case with holes for handle installation using through screws.

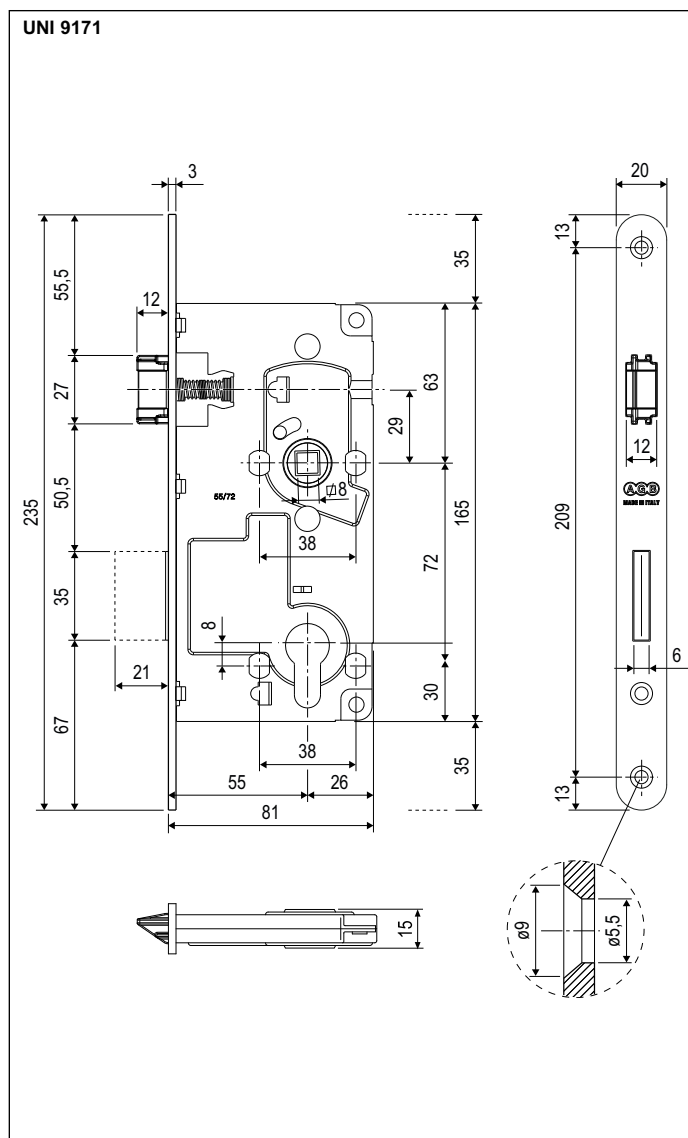
### Use

For interior and main timber doors.

### Fastening

Prepare cutout and mill the panel according to the dimensions shown in the diagram. Secure the lock with two 4,5x25 mm screws. To reverse the spring latch, push it out of the forend by pushing with a screwdriver against the screw on the back, then rotate it.

**Note.** Cardboard box containing one lock and one screw for fastening the cylinder. The striker and cylinder must be ordered separately.



### Order Specifications

Material	SALES CODE		
	Ref.	Backset	Finish code
STEEL	B10084	55	XX

**Note.** Refer to the price list in force to check the availability of the finishes.