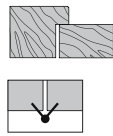
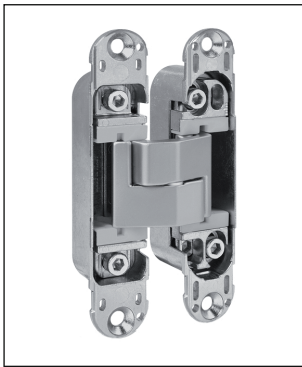


# Eclipse 3.2 - adjustable concealed hinge for flush doors with or without rebate and for aluminium doors



### Description

Reversible concealed hinge with a frame part reduced to 21 mm. Eclipse 3.2 is adjustable on 3 axis and allows a 180° opening. It is suitable for flush doors, with and without rebate and for aluminium doors. The hinge can be used with the door closer. Possibility to install both flush covers and coverplates.

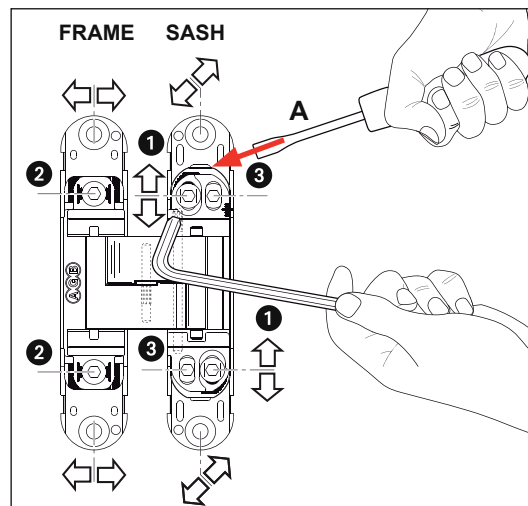
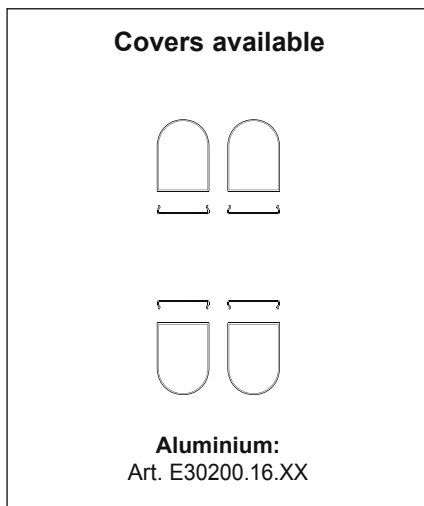
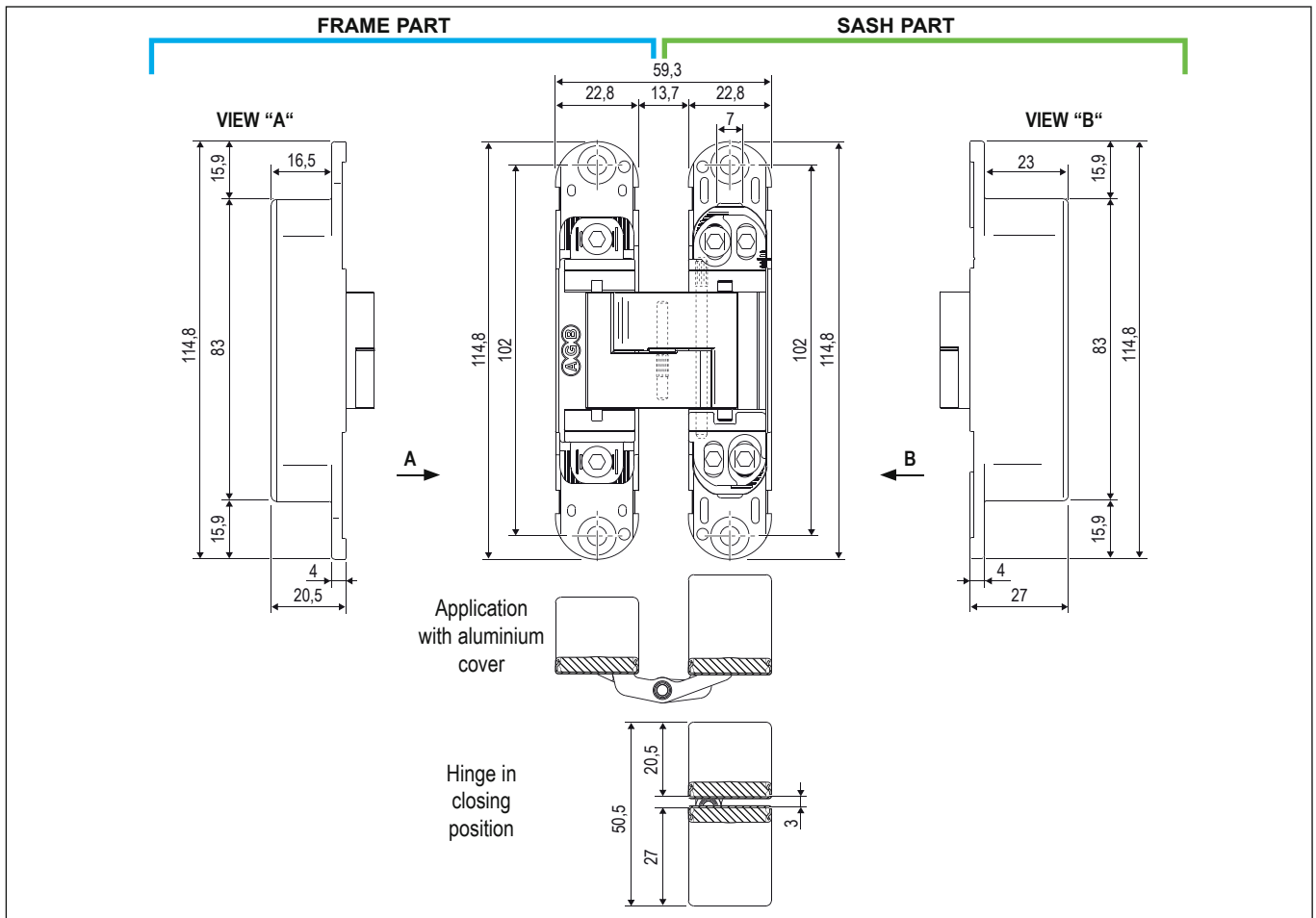
### Capacity

40 kg with 2 hinges, 60 kg with 3 hinges.

**Note.** Follow the procedure on the capacity diagram for the maximum dimensions of the possible sash.

### Fastening

Mill sash and frame as indicated in the picture and fasten the hinge with  $\varnothing 4,5$  mm screws of a suitable length.

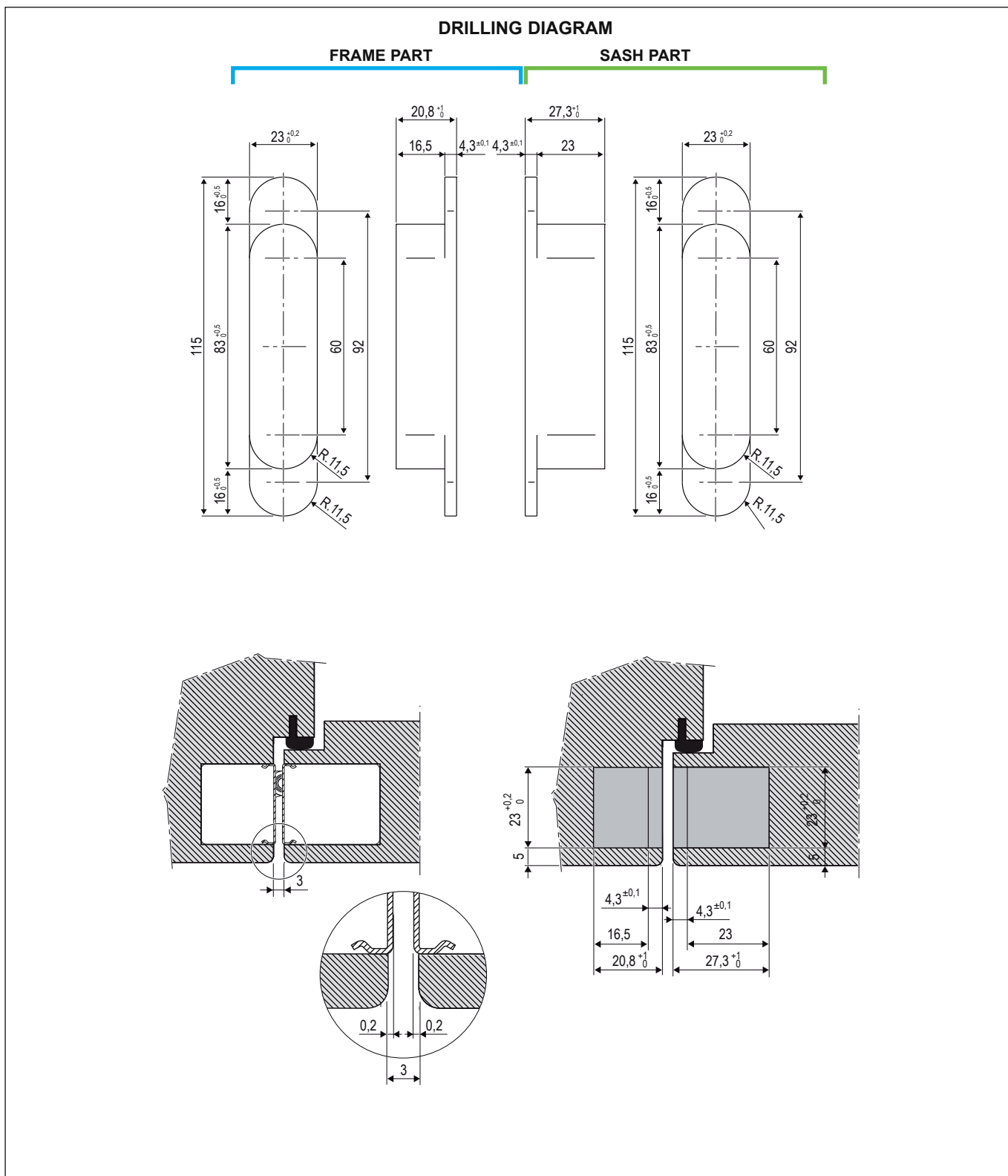


### Adjustments

Please adjust the hinges with a 3 mm Allen key, as indicated here below:

- **±2 mm vertical adjustment:** loosen the screws ① by using a screwdriver (A) or a wedge which is suitable for Eclipse hinges, art. E30200.89.01. After this operation fasten the screws.
- **±1 mm pressure adjustment:** loosen the screws ② and move the hinge body. After this operation fasten the screws.
- **±1,5 mm horizontal adjustment:** move the screws ③.

# Eclipse 3.2 - adjustable concealed hinge for flush doors with or without rebate for aluminium doors



## Order specifications

Material	Article
ZAMAK	E30200.06.XX

**Note.** Refer to the price list in force to check the availability of the finishes.