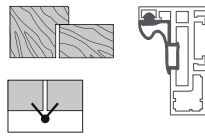
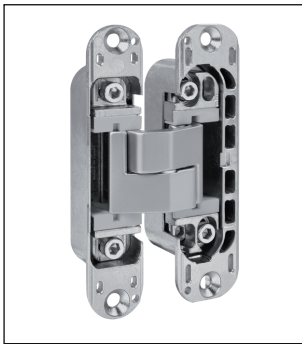


Eclipse 3.1 - adjustable concealed hinge for sashes from 38 to 40 mm and for aluminium doors



Description

Reversible concealed hinge with a frame part reduced to 20 mm. It is adjustable on 3 axis and allows a 180° opening. It is suitable for flush doors for thicknesses from 38 to 40 mm and for aluminium doors. The hinge can be used with the door closer.

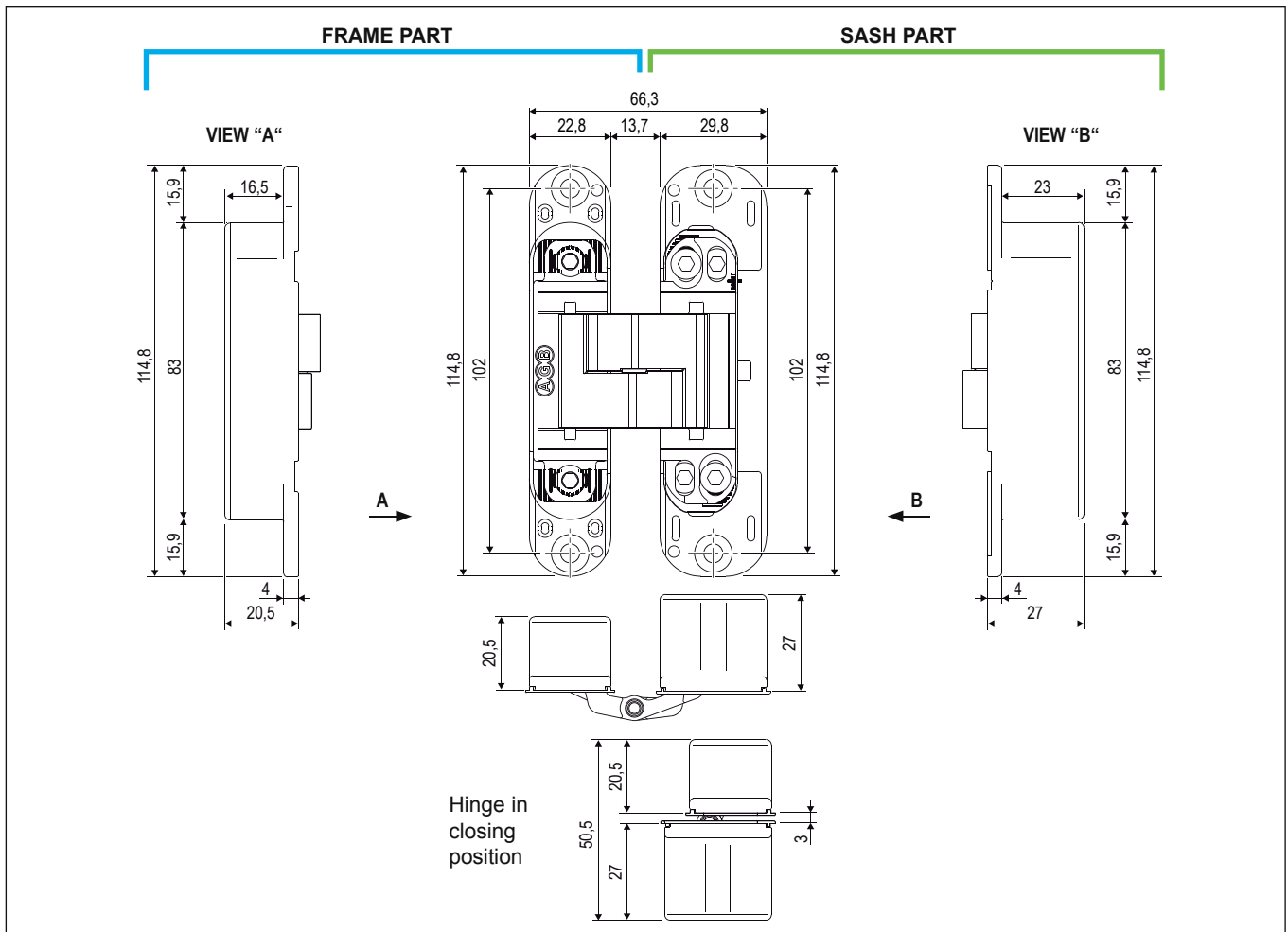
Capacity

Up to 40 kg with 2 hinges, 60 kg with 3 hinges.

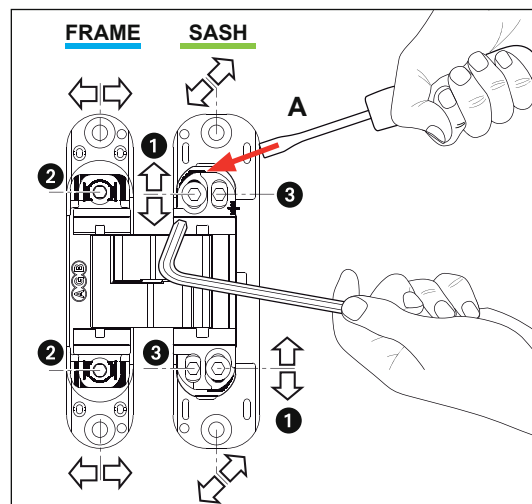
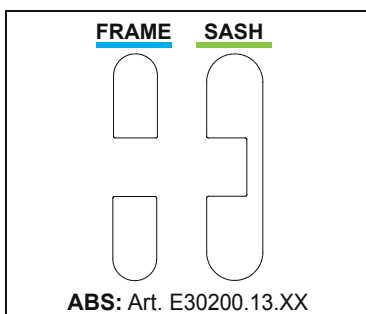
Note. Follow the procedure on the capacity diagram for the maximum dimensions of the possible sash.

Fastening

Mill sash and frame as indicated in the picture and fasten the hinge with $\varnothing 4,5$ mm screws of a suitable length.



Covers available

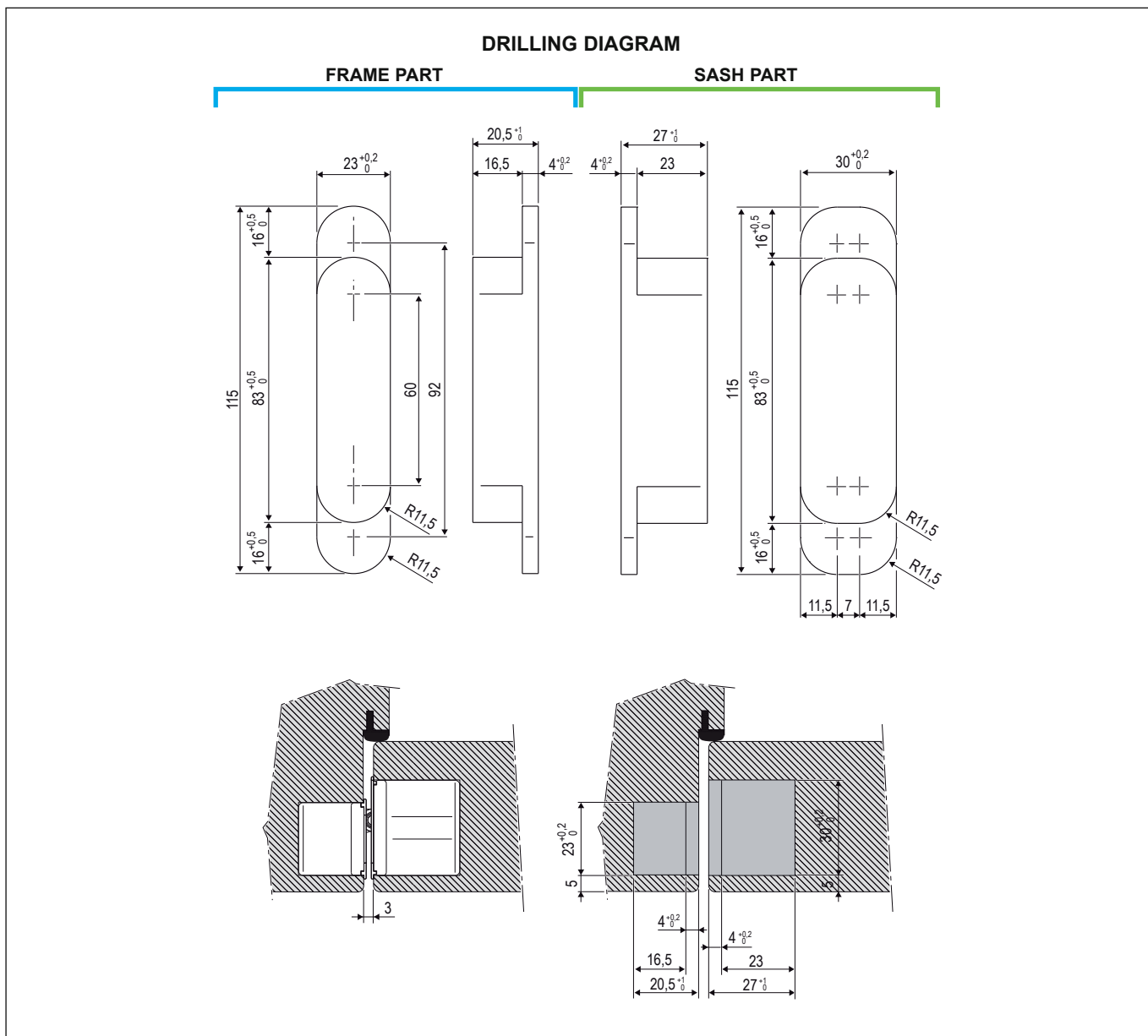


Adjustments

Please adjust the hinges with a 3 mm Allen key, as indicated here below:

- **±2 mm vertical adjustment:** loosen the screws ① by using a screwdriver (A) or a wedge which is suitable for Eclipse hinges, art. E30200.89.01. After this operation fasten the screws.
- **±1 mm pressure adjustment:** loosen the screws ② and move the hinge body. After this operation fasten the screws.
- **±1,5 mm horizontal adjustment:** move the screws ③.

Eclipse 3.1 - adjustable concealed hinge for sashes from 38 to 40 mm and for aluminium doors



Order specifications

Material	Article
ZAMAK	E30200.93.XX

Note. Refer to the price list in force to check the availability of the finishes.