

DUETTO - Handle kit, $\varnothing 48$ mm Active-Active, 38-48 mm door thickness



Description

Embedded handle kit, with a ring handle, 48 mm milling diameter. The expanding spindle allows to mount the handles on doors from 38 to 48 mm thick. The maximum protrusion from the door surface is 4,5 mm.

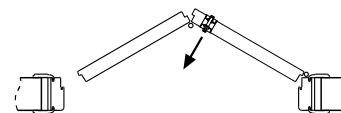
Use

For folding doors installed on passing through rooms, e.g. passages, or similar Use where opening and closing the door on both sides is required. The $\varnothing 48$ mm Kit cannot be combined with locks with backsets less than 35 mm.

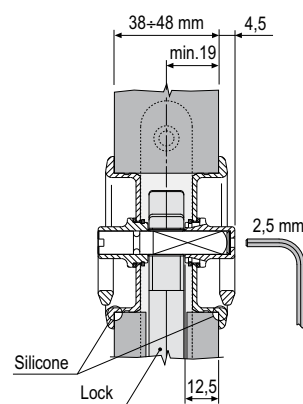
Fastening

The handles are mounted on the door by means of the expanding spindle inside of the active handle. A 2,5 mm Allen key is required.

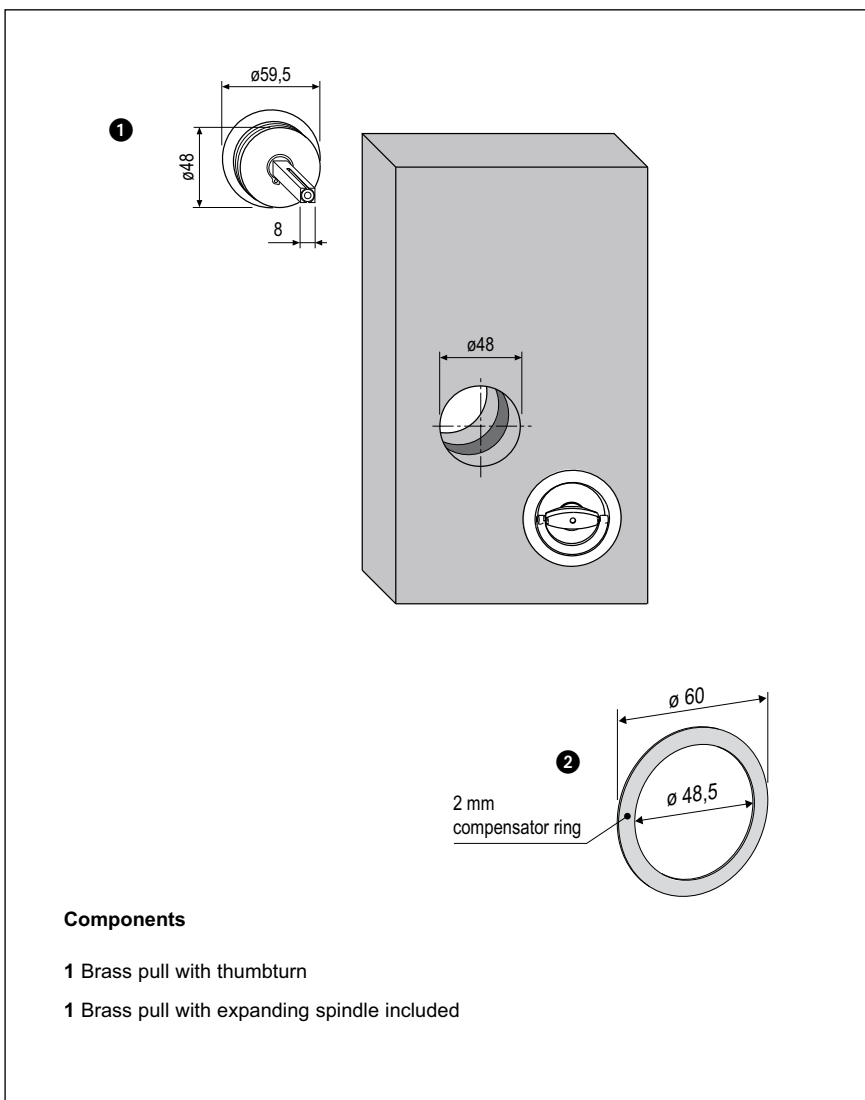
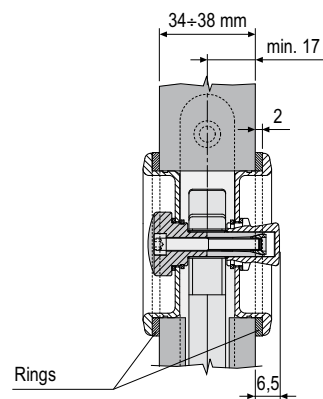
Note. We suggest to mount the handle with the expanding hub in the side door where it is pulled.



HANDLES ASSEMBLY



$\varnothing 48$ MM RING FOR 34-38 MM DOOR THICKNESS



Components

- 1 Brass pull with thumbturn
- 1 Brass pull with expanding spindle included

Order Specifications

Ref.	Article	Material
1	B02901.00.XX	Brass
	B02901.01.XX	Steel
2	B00700.30.XX	

Note. Refer to the price list in force to check the availability of the finishes.