

DUETTO - Handle kit, $\varnothing 34$ mm active-passive, 38-48 mm door thickness



Description

Embedded handle kit, with a ring handle, 34 mm milling diameter. The expanding spindle allows mounting the handles on doors from 38 to 48 mm thick. The maximum protrusion from the door surface is 6.5 mm.

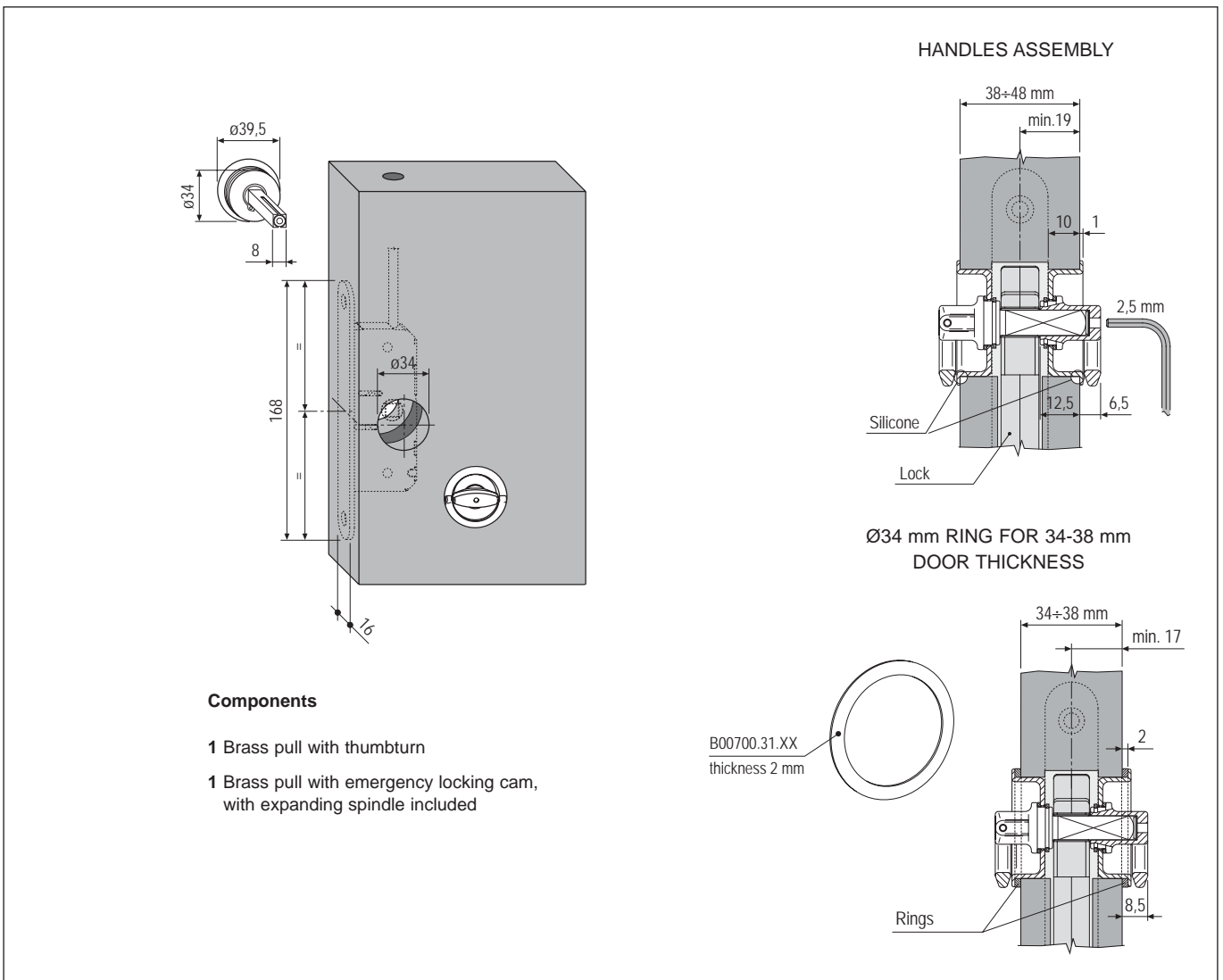
Application

For folding doors installed on bathrooms or similar applications. The kit is made of an active handle which operates the expanding spindle, and of a passive one (mounted on the other side) which works just for moving the door (idle rotation). The passive handle is notched, in order

to guarantee the emergency function by means of a screw driver or a coin.

Mounting

The handles are mounted on the door by means of the expanding spindle inside of the active handle. A 2,5 mm Allen key is required.



Components

- 1 Brass pull with thumbturn
- 1 Brass pull with emergency locking cam, with expanding spindle included

Order Specification

Material	SALES CODE		
	Ref.	Backset	Finish code
BRASS	B02902	00	XX

NB. Refer to the price list in force to check the availability of the finishes.