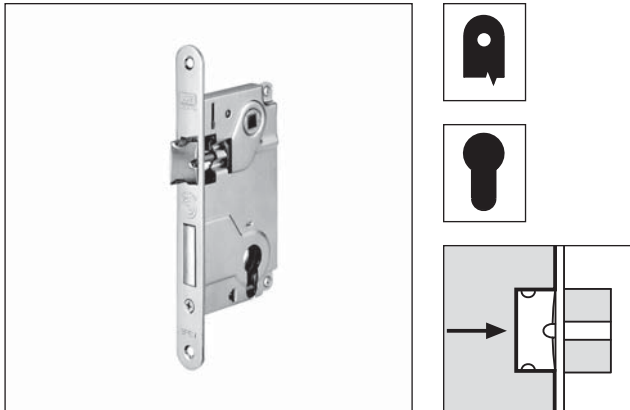


Round ends with cylinder lock, 85 mm centre, 18 mm forend



Description

Embedded lock with spring latch and bolt, used in combination with a DIN V 18254 profile cylinder. 85 mm centre. 18 mm forend with round ends. Single 50 mm backset. Made entirely of steel or with brass forend, spring latch and bolt. Reversible spring latch. The spring latch can be retracted by turning the key as well.

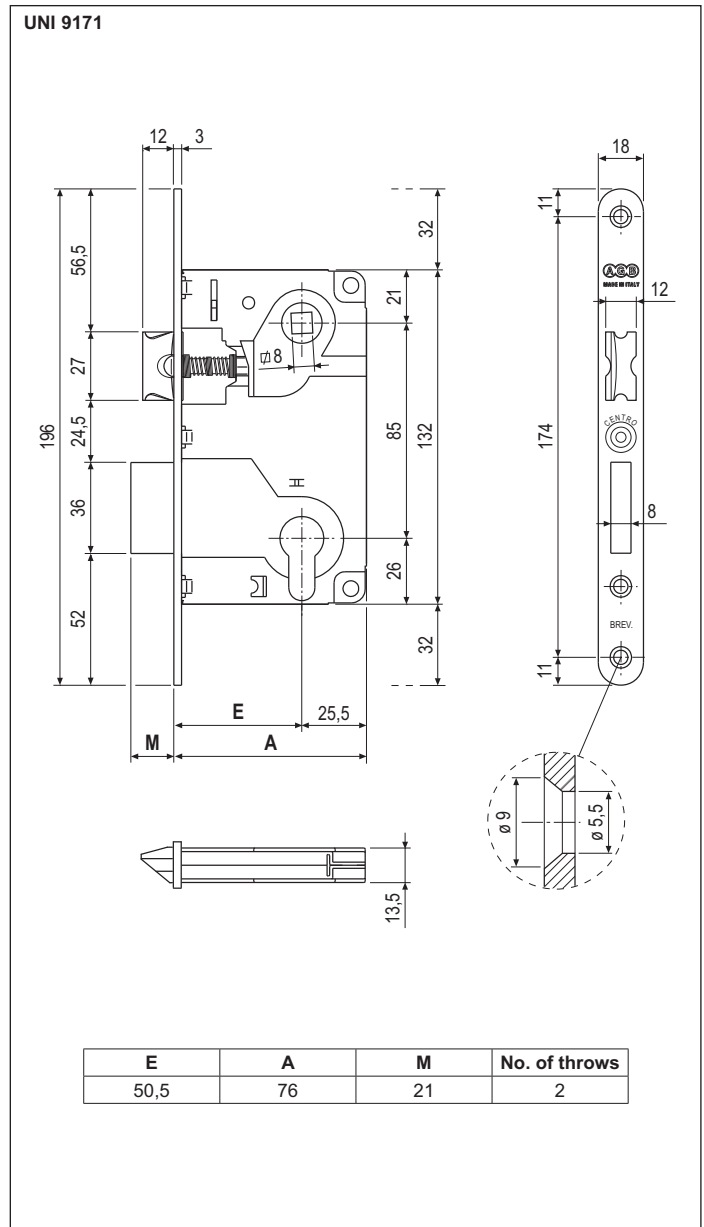
Application

For interior and main timber doors. The position of the hub holes and cylinder, which are symmetrical with respect to the centre of the panel, allows the reversal of the lockcase in the cutout. Non-handed doors can thus be obtained for the flush type, which allows you to reduce your stock of panels considerably.

Mounting

Prepare cutout and mill the panel according to the dimensions shown in the diagram. Secure the lock with two 4,5x25 mm screws. To turn the spring latch: lift the locking lever, push the spring latch inside the lockcase and rotate it, then lower the locking lever.

NB. Cardboard box containing one lock and one screw for fastening the cylinder. The striker and cylinder must be ordered separately.



Order Specifications

Material	SALES CODE		
	Ref.	Backset	Finish code
STEEL	B01025	50	XX
BRASS	B01026	50	XX

NB. Refer to the price list in force to check the availability of the finishes.