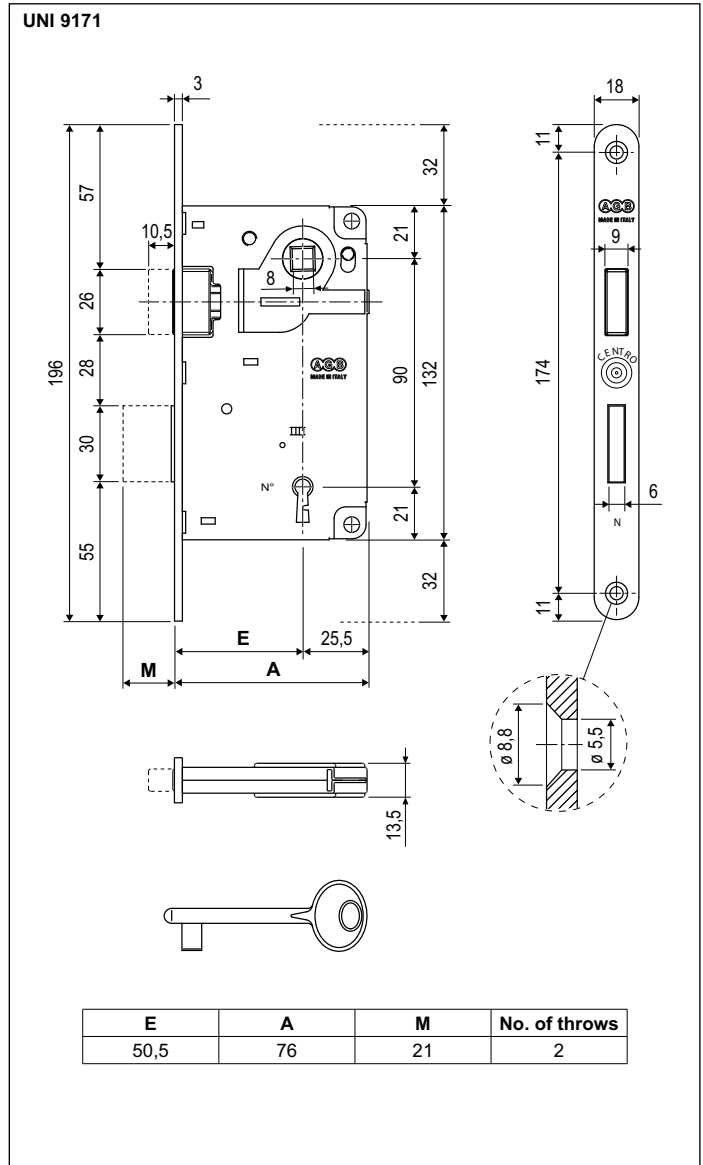


Centro Focus with bolt - key lock, 90 mm centre, 18 mm forend



Description

Embedded lock with polyamide magnetic latch and bolt. 90 mm centre. 18 mm forend with round ends. Single 50 mm backset. Made of steel. Version with key in 4 mixed differs.

Application


For interior timber doors. The position of the hub and key, which are symmetrical with respect to the centre of the panel, allows the reversal of the lockcase in the cutout. Non-handed doors can thus be obtained for the flush type, which allows you to reduce your stock of panels considerably.

Mounting

Prepare cutout and mill the panel according to the dimensions shown in the diagram. Secure the lock with two 4,5x25 mm screws.

NB. Each lock comes with a key. Special packagings with only one key differ inside are available on request for industrial applications. The striker, selected according to the construction type, must be ordered separately.

Order Specifications

Material	SALES CODE			
	Ref.	Backset	Finish code	
STEEL	B04002	50	XX	4

NB. Refer to the price list in force to check the availability of the finishes.